



## K601D COACH LANTERN - LED

The K601D is a cost effective coach lantern with a historical appearance that offers high performance Advanced LED Technology with our signature P4 optical system. It has excellent spacing and low glare providing a perfect solution for city streets, parks, schools and commercial areas.



# King Luminaire

## PRODUCT SPECIFICATIONS

### LED ENGINE

Light engine shall include an array of 30, 60 or 84 solid state Cree X-Series high power LEDs (light emitting diodes). The emitters shall be mounted to a metal core circuit board using SMT technology. The LEDs and circuit boards shall then be mounted to a high performance heat sink.

### OPTICS

External light control shall consist of high precision refractive lenses mounted above the LED emitter arrays in such a way to achieve optimum uplight control. The lenses shall also control horizontal light distribution so that Type II, III, IV or V IESNA distribution patterns are achieved.

### LENS

The K601D Coach Lantern is available with or without a lens. The lens panels can be made of clear polycarbonate or clear acrylic.

### LUMINAIRE CONSTRUCTION

All cast components shall consist of an aluminum alloy. The main body acts as an enclosure for the LED array and is of adequate thickness to give sufficient structural rigidity.

With the Post Top, the capital shall have an opening at the base tenon body to allow the luminaire to be mounted to a tenon of 3-1/2" maximum diameter. The luminaire shall be locked in place by means of heavy duty, stainless steel set-screws.

The K601D Coach Lantern is also available as a pendant with multiple mounting options, including the KPL10, KPL11, KPL20, KPL21, KPL30, KPL31 and KPL40. The K601D Coach Lantern can also be mounted with a Side Mounted scroll arm. Please contact King Luminaire for more details and specifications.

### DRIVER

The LED universal dimmable driver will be class 2 and capable of 120 - 277V or 347 - 480V input voltage, greater than 0.9 power factor, less than 20% total harmonic distortion. The case tem-

perature of the driver can range from -40°C up to 70°C. Each LED system comes with a standard surge protection designed to withstand up to 20kV/10kA of transient line surge as per IEEE C62.41.2 C High. An in-line ferrite choke is utilized to provide protection against EFT's. Dimming capable using 1-10vdc (10% to 100%), 10v PWM, or resistance.

### PHOTOMETRICS

Fixtures are tested to IESNA LM79 specifications. These reports are available upon request.

### CHROMATICITY

High output LEDs come standard at 3000K & 4000K (+/- 300K) with a minimum nominal 70 CRI. Additional CCT emitters are available upon request.

### LUMEN MAINTENANCE

Reported (TM21) and Calculated (L70) reports are available upon request with a minimum calculated value of 100,000 hrs.

### WIRING

All internal wiring and connections shall be completed so that it will be necessary only to attach the incoming supply connectors to Mate-N-Lok connectors or to a terminal block. Mate-N-Lok shall be certified for 600V operation. Internal wire connectors shall be crimp connector only and rated at 1000V and 150°C. All wiring to be CSA certified and/or UL listed, type SFF-2, SEWF-2, or SEW-2 No. 14 gauge, 150°C, 600V, and color coded for the required voltage.

### THERMALS

Fixtures tested by a DOE sanctioned test facility to determine the maximum in-situ solder-point or junction-point temperatures of the LED emitters. This report is available upon request.

### FINISH

Housing is finished with a 13 step KingCoat™ SuperDurable polyester TGIC powder coat. Standard colors include strobe white, brown metal, marina blue, gate gray, Chicago bronze, standard gold, standard black, federal

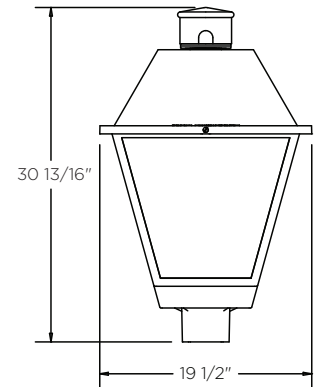
green and rain forest. Please see our website for a complete list of colors. RAL and custom color matches are available.

### MISCELLANEOUS

All exterior hardware and fasteners, wholly or partly exposed, shall be stainless steel alloy. All internal fasteners are stainless steel or zinc coated steel. All remaining internal hardware is stainless steel, aluminum alloy, or zinc coated steel.

### WARRANTY

The K601D Coach Lantern LED luminaire comes with a 7 year limited warranty.



### CERTIFICATION:

CSA US Listed  
Suitable for wet locations  
ISO 9001  
IP66  
ARRA Compliant  
LM79 / LM80 Compliant

### DRIVER INFO:

>0.9 Power Factor  
<20% Total Harmonic Distortion  
120 - 277V & 347 - 480V  
-40°C Min. Case Temperature  
70°C Max. Case Temperature  
Surge Protection: ANSI C136.2  
extreme level 20kV/10kA  
Dimming Capable: 1-10vdc

### EPA (with Lens):

Post Top:	2.7 sq. ft.
Side Mount:	2.45 sq. ft.
Pendant:	2.45 sq. ft.

### FIXTURE WEIGHT (with Lens):

Post Top:	34 lbs
Side Mount:	25 lbs
Pendant:	25 lbs



IDA certification applicable for maximum 3000K CCT. Glass Lenses do not apply.

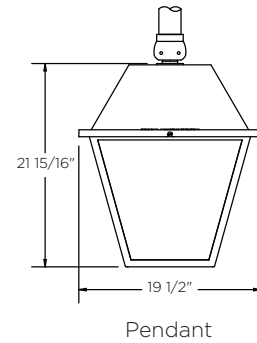
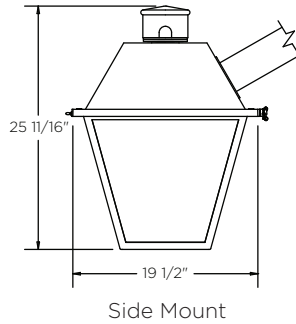
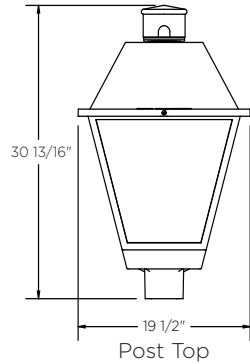


Not all product variations listed on this page are DLC qualified. Visit [www.designlights.org/search](http://www.designlights.org/search) to confirm qualification. 01-06-2023

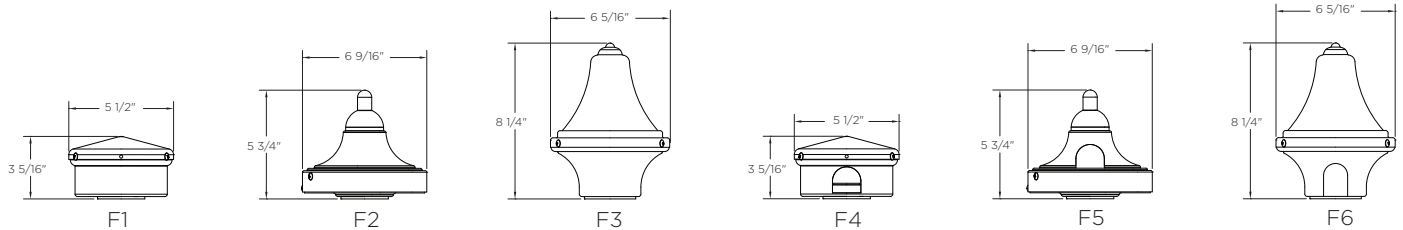
# FIXTURE OPTIONS

K601D COACH LANTERN - LED

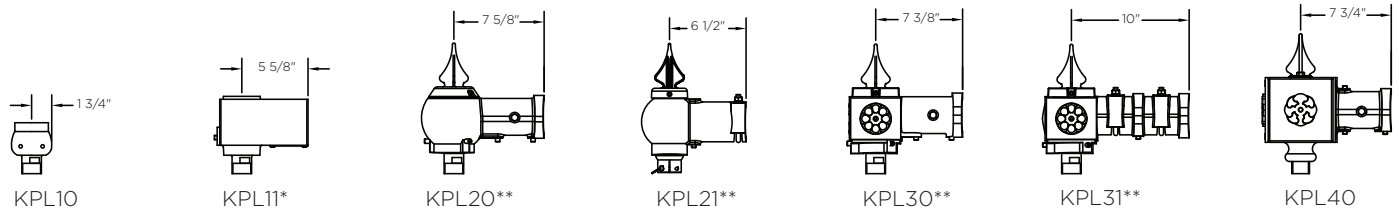
## Fixture Formats



## Finial Options (Post Top/Side Mount)



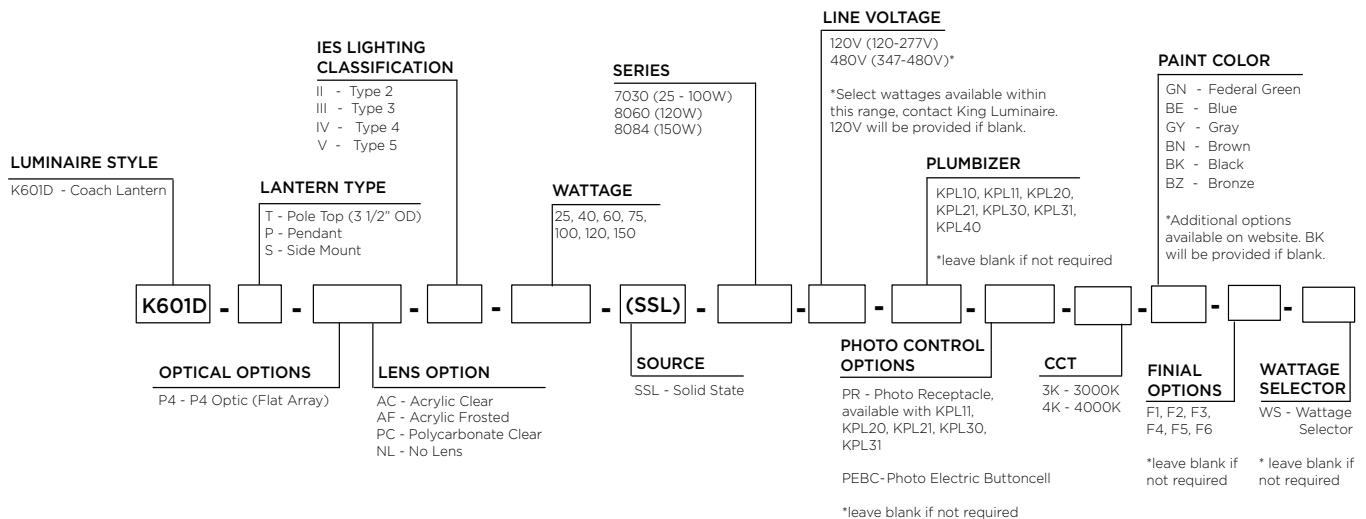
## Plumbizer/Mounting Options (Pendant)



\*Available with PR7

\*\*Available with PR7 or finial

# HOW TO ORDER



\* To meet International Dark-Sky Association certification criteria, P4NL & 3K must be selected