



KCK445 LED CONVERSION KIT

The King Luminaire KCK445R Sol-Lux LED Conversion Kit offers a simple way to convert to high efficiency LED. Through Tri-Thermal Management, the KCK445R Sol-Lux reduces heat via convection, radiation and conduction for a long operational life. This conversion kit is a complete fully tested system that requires little maintenance.



**King
Luminaire**

PRODUCT SPECIFICATIONS

LED ENGINE

The light engine shall be an array of 4 or 6 Cree Chip On Board (COB) diodes mounted to a highly conductive aluminum extrusion with the use of 2 electrical connectors. The aluminum extrusion will be mechanically attached to a thermal heat sink at both the top and bottom of the aluminum extrusion. It shall remain in thermal contact to the heat sinks with the use of conductive silicone. There will be an aluminum upright reflector in both Type IV & Type V IESNA distribution patterns.

REFRACTIVE GLASS GLOBE

The glass globe shall be made of 9018 clear borosilicate glass having a minimum thickness of 0.300" with an overall diameter of 13.5" and an over-all height of 19.25". It will be designed for optimum optical efficiency and light control.

The glass globe is secured to the luminaire body by means of a split-clamping ring of durable cast A319 aluminum, which allows easy, tool-less removal of the globe assembly from the luminaire body by means of King Luminaire's Rotolock™ system.

A minimum ingress protection against water or dust particles of IP66 for the LED optical chamber is provided by non-porous, closed-cell silicon rubber sponge gasketing which is highly efficient in sealing against particle ingress for a wide temperature range (-40°F to 310°F).

DRIVER

CSA certified and/or UL listed, electronic programmable, Constant Light Output (CLO) driver with a 0-10v dimming lead. Driver shall supply correct DC voltage and current to maintain proper operation of the emitters. The driver shall be UL1310/UL48 Class 1 certified, and contain over-circuit, over-voltage, and over-power protection. An in-line ferrite choke is utilized to provide protection against EFT's. The multi-volt driver shall be capable to connect to AC input voltages of 120V - 277V or 347 - 480V. The driver shall have a minimum life expectancy of 100,000 hrs with a case temperature range of -40°C to a maximum of 60°C. The driver casing shall have a minimum ingress protection rating of IP67.

PHOTOMETRICS

Fixtures are tested to IESNA LM79 specifications. These reports are available upon request.

CHROMATICITY

High output COB LEDs come standard at 3000K & 4000K (+/- 300K) with a minimum nominal 70 CRI. Additional CCT emitters are available upon request.

LUMEN MAINTENANCE

Reported (TM21) and Calculated (L70) reports are available upon request with a minimum calculated value of 100,000 hrs.

WIRING

All internal wiring and connections shall be completed so that it will be necessary only to attach the incoming supply connectors to Mate-N-Lok connectors or to a terminal block. Mate-N-Lok shall be certified for 600V operation. Internal wire connectors shall be crimp connector only and rated at 1000V and 150°C. All wiring to be CSA certified and/or UL listed, type SFF-2, SEWF-2, or SEW-2 No. 14 gauge, 150°C, 600V, and color coded for the required voltage.

THERMALS

Fixtures tested to determine the maximum in-situ case temperature of the LED emitters as recommended by Cree. This report is available upon request.

FINISH

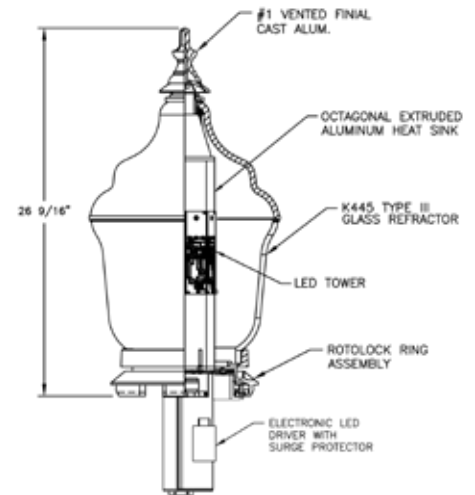
Housing is finished with a 13 step King-Coat™ SuperDurable polyester TGIC powder coat. Standard colors include strobe white, brown metal, marina blue, gate gray, Chicago bronze, standard gold, standard black, federal green and rain forest. Please see our website for a complete list of colors. Additional RAL or custom color matches are available.

MISCELLANEOUS

All exterior hardware and fasteners, wholly or partly exposed, shall be stainless steel alloy. All internal fasteners are stainless steel or zinc coated steel. All remaining internal hardware is stainless steel, aluminum alloy, or zinc coated steel.

WARRANTY

The KCK445 Sol-Lux LED conversion kit comes with a 7 year limited warranty.



CERTIFICATION:

CSA US Listed
Suitable for wet locations
ISO 9001
IP66
ARRA Compliant
LM79 / LM80 Compliant

DRIVER INFO:

>0.9 Power Factor
<20% Total Harmonic Distortion
120 - 277V & 347 - 480V
-40°C Min. Case Temperature
60°C Max. Case Temperature
Surge Protection: ANSI C136.2 extreme level
20kV/10kA



Contact King Luminaire for product specifications that are exempt from CSA Certification. 08-27-2021

STEP BY STEP CONVERSION

KCK445 LED CONVERSION KIT



STEP 1: DETERMINE THE HID FIXTURE YOU WISH TO CONVERT TO LED



STEP 2: REMOVE THE GLOBE FROM THE HID FIXTURE



STEP 3: REMOVE THE BALLAST PLATE AND ASSEMBLY FROM THE HID FIXTURE



STEP 4: UNPLUG THE HID POWER LEADS FROM THE BALLAST ASSEMBLY



STEP 5: CONNECT THE LED POWER LEADS



STEP 6: PLACE THE LED CONVERSION KIT GLOBE ON THE CAPITAL AND ROTOLOCK™ IT INTO PLACE OR ENGAGE THE SET SCREWS IF A NON ROTOLOCK™ GLOBE IS PROVIDED

HOW TO ORDER

