



SITE AMENITIES

FROM KING LUMINAIRE



THE WELLINGTON TRASH RECEPTACLE - KTR20



At King Luminaire, we know that the quality of workmanship is just as important as the design itself. Inspired by the

goal to complement our lighting products, King Luminaire is proud to introduce the KTR20 Trash Receptacle.

The KTR20 is constructed of rugged 1/4" mill steel in the ever popular vertical strap design. After being hot-dipped galvanized, it is finished with King's durable "KingCoat" powder coat paint finish. It is available in a 20, 32 and 44 gallon capacity and comes with its own rigid plastic liner which is held securely in the container by a hinged, cast aluminum lid. An optional protective steel canopy is also available.

Equipped with anchor bolt mounting tabs to deter theft or vandalism, this container has been designed to stand the test of time. Finished in any of the dazzling array of KingCoat colors, the KTR20 will add style to any project.

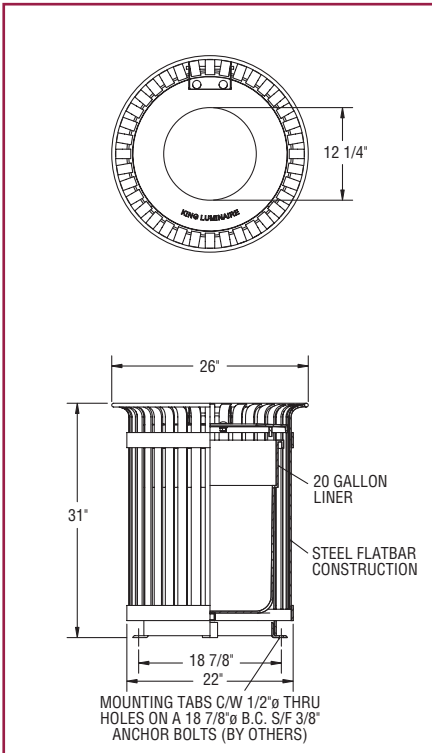


Standard, premium and custom paint colors available, please contact us for details.

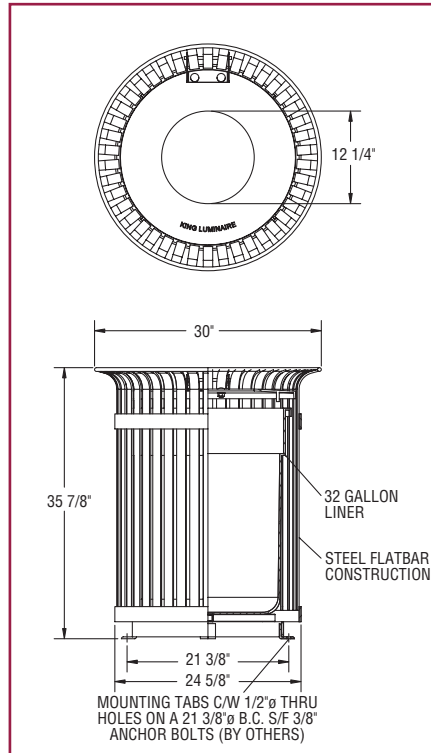


THE QUALITY IS KING. THE DESIGNS, TIMELESS.

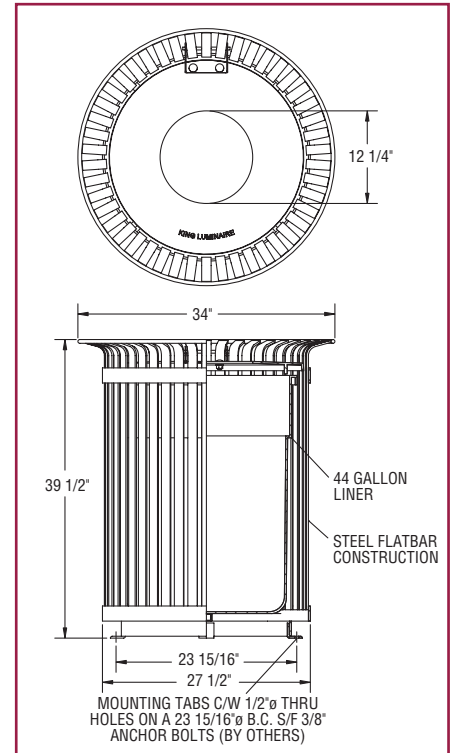
THE WELLINGTON TRASH RECEPTACLE - KTR20



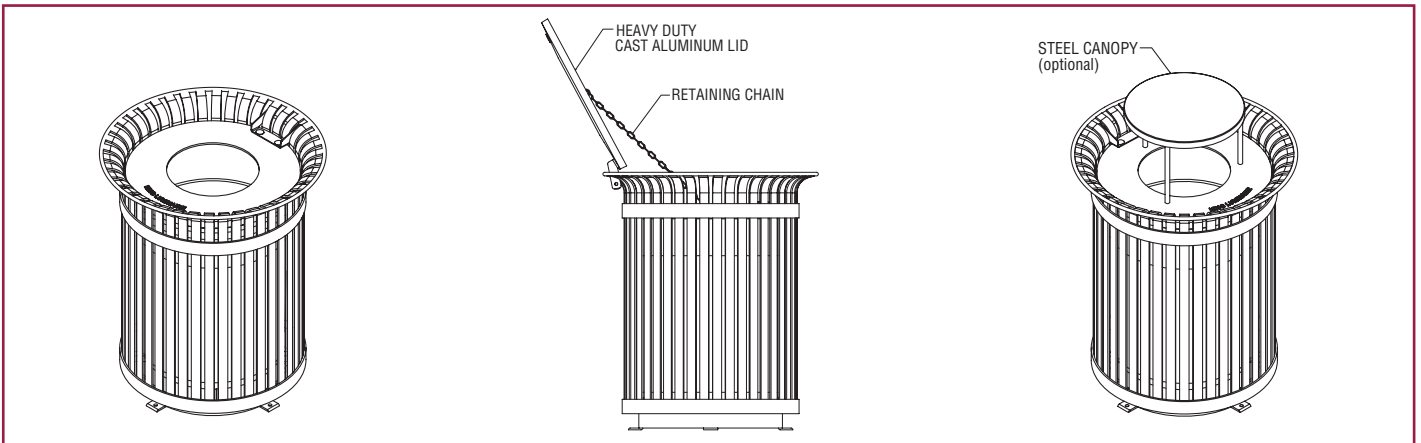
KTR20 - (20 gal.)



KTR20 - (32 gal.)



KTR20 - (44 gal.)



How to Catalog

**KING
DECORATIVE
TRASH
RECEPTACLE**

**CONTAINER
SIZE**

20 Gallon
32 Gallon
44 Gallon

PAINT COLOR

GN – Federal Green
BE – Blue
GY – Gray
BN – Brown
BK – Black
BZ – Bronze
(other colors available
see color selector in catalog)

KTR

20

32

LC

BK

SERIES

20 – Wellington
Trash
Receptacle

LID STYLE

L – Lid
LC – Lid & Canopy

*please visit our website or see our catalog for other trash receptacle designs



King Luminaire • Stresscrete • Est. 1953

**STRESSCRETE
GROUP**

www.kingluminaire.com • www.stresscrete.com

9200 Energy Lane
Northport, Alabama, USA 35476-3442
Tel: (205) 339-0711 Fax: (205) 339-4840
Toll Free 1-800-435-6563

1153 State Route 46N
Jefferson, Ohio, USA 44047
Toll Free 1-800-268-7809 Fax: (905) 632-8116

14503 Wallick Road
Atchison, Kansas 66002
Tel: (913) 255-3112 Fax: (913) 255-3124
Toll Free 1-800-837-1024

840 Walkers Line, P.O. Box 7
Burlington, Ontario, Canada L7R 3X9
Tel: (905) 632-9301 Fax: (905) 632-8116
Toll Free 1-800-268-7809