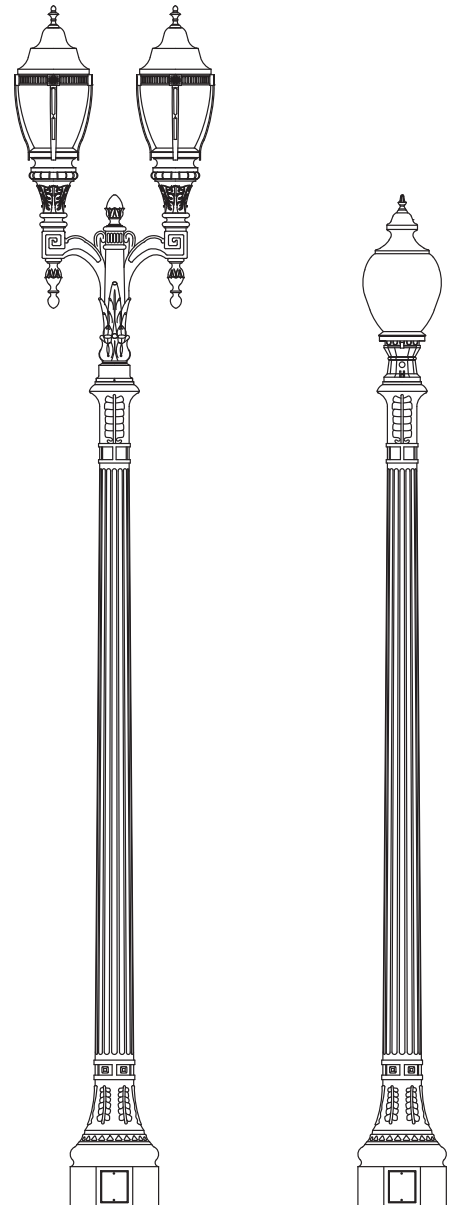


## THE CALIFORNIA

One of our most ornate concrete poles, the California pole is truly a work of art. This embellished ornamental pole with hints of Greek styling offers a 15 fluted shaft with very high definition elements including leaf and floral details. Available in three mounting configurations, it will be a great fit for streetscapes or residential applications. The California pole is available in an above grade height of 15' 1.5".



## Specification Details

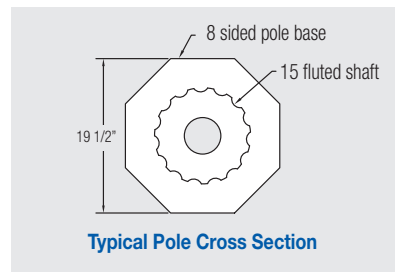
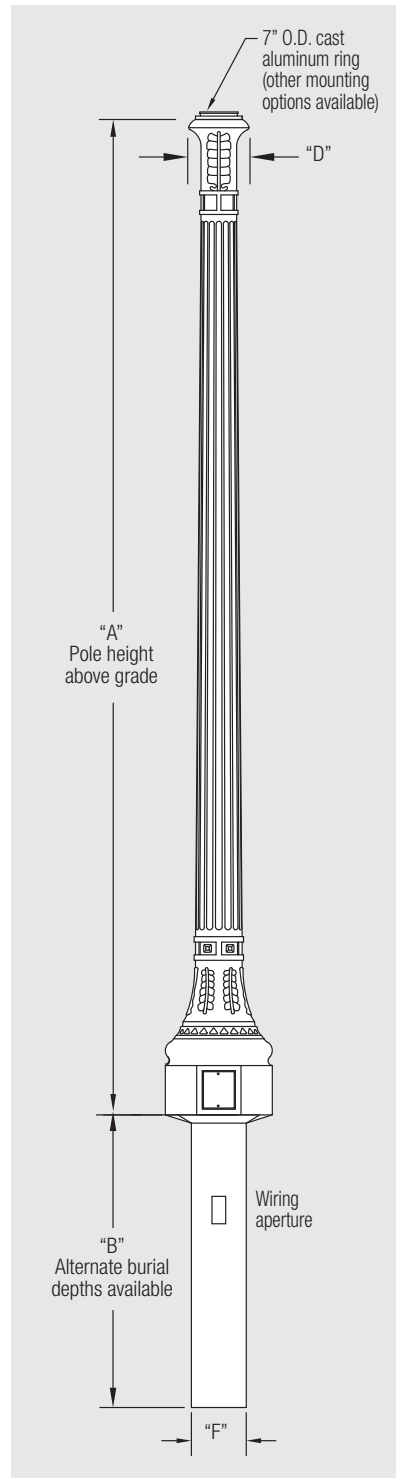
Description	Catalog Number	"A" Pole Height Above Grade	"D" Tip Dimension	"B" Direct Burial Length & "F" Dia.	Pole Weight Direct Burial	Pole Weight Base Plate
California 15'	KCA15	15' 1 1/2"	11"	4' 6" x 10"	1100 lbs	900 lbs

Other heights may be available. Contact Factory.

## How to Catalog for California Concrete Pole

Pole Style	Finish	Footing Details	Coating
KCA	E – Etched Finish	DB – Direct Buried FBP – Flush Baseplate SBP – Stub Baseplate	NA – Non Acrylic A – Acrylic AG – Anti Graffiti Coating***
<b>KCA</b>	<b>E</b>	<b>DB</b>	<b>NA</b>
<b>15'</b>	<b>40</b>	<b>140 30/30</b>	<b>GFI</b>
<b>Height</b>	<b>Color**</b>	<b>Tenon (Post Top Mount)</b>	<b>Options*</b>
15' 1.5"	10 – Midnight Lace 11 – Eclipse Black 30 – Salt & Pepper 40 – Pearl Gray 90 – Saluki bronze	Specify Tenon Size For example 140 30/30 = 2 7/8" OD & 3" long	DR – Duplex Receptacle GFI – Ground Fault Duplex Receptacle SR – 1 Outlet LRN – Ladder Rest BPC – Base Plate Cover AB – Anchor Bolts BA – Banner Arms (clamp on only) FH – Flag Holders (clamp on only)

\* Consult website for full listings. \*\* See decor colors on page 2 for full selection of colors.  
\*\*\*Anti Graffiti Coating is extra, consult factory for more details.

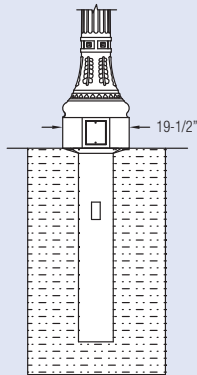


## Footing Details

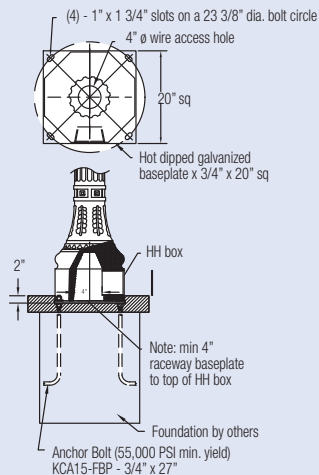
### Direct Buried

(Simple and Cost Effective)

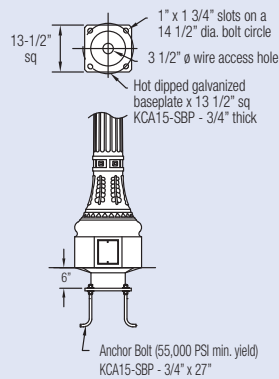
1. Auger the setting hole.
2. Set pole in hole and plumb straight.
3. Backfill\* with required backfill tamping every 4" to 6".



### Baseplate Option 1: FBP



### Baseplate Option 2: SBP



\*Generally the excavated material can be used for backfill, in some situations better backfill may be required.