

# The VoltLock // Level II Concealed EVSE Pole

## Spun Concrete Pole



The VoltLock Concealed Level II EVSE Pole was designed with the needs of the city in mind. The cavities within the base of the pole for concealing electric vehicle supply equipment provide a tamperproof solution with a clean aesthetic by containing the cable and connector of the charging stations typically in use within the sleek lines of the concrete pole.

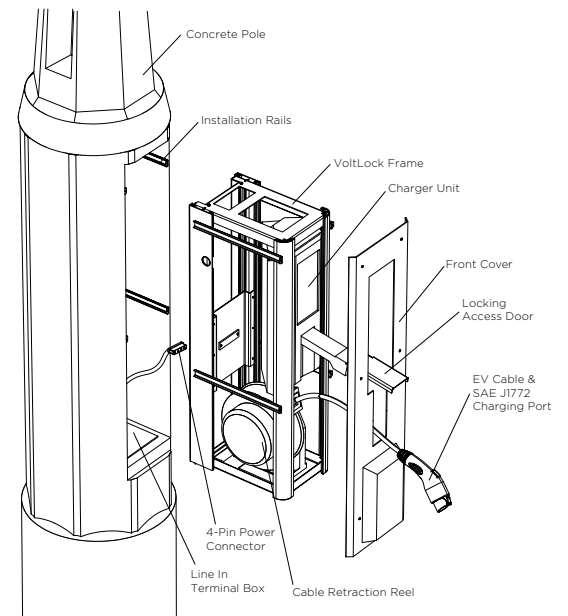
### Measurements:

Catalog Number	Height Above Grade (ft.)	Tip (in)	Weight (lbs)		
			Overall Weight	Charger Weight	Pole Weight
KVL18	18	7 3/4	4512	112	4400
KVL20	20	7 1/2	4612	112	4500
KVL22	22	7 1/8	4687	112	4575
KVL25	25	6 5/8	4812	112	4700
KVL30	30	5 3/4	4962	112	4850
KVL32	32	5 3/8	5062	112	4950

### EV Charger Specifications:

- NEMA 3R - Weather and Vandal Proof
- 22' EVSE cable, rated 30A/600V with SAE J1772 Charging Connector
- 6A - 30A Adjustable Output Current; 60Hz; 20mA Integrated Circuit Breaker; 10W Power Consumption
- -40C to 50C Operating Temperature
- 112 lbs Unit Weight
- ZigBee (IEEE 802.15.4 meshed network); 3G Networking (via gateway)
- LED Status Indicator (Green - Available, White - In Use, Red - Out of Service)
- Controlled Access to Cable and Connector via RFID Card or Mobile App

### Cabinet Details:



### How to Order:

**POLE STYLE**  
KVL - The VoltLock

**FINISH**  
E - Etched

**FOOTING DETAILS**  
DB - Direct Buried

**ABOVE GRADE HEIGHT**  
18' - 32'

**COLOR**  
11 - Eclipse Black  
80 - Vintage Brown  
40 - Pearl Gray  
51 - Aztec Jade

**TENON (POST TOP MOUNT)**  
Specify Tenon Size

**COATING**  
NA - Non Acrylic  
A - Acrylic  
AG - Anti Graffiti Coating

**OPTIONS**  
DR - 2 Outlets  
GFI - Ground Fault 2 Outlet  
SR - 1 Outlet  
LRN - Ladder Rest  
BPC - Base Plate Cover  
AB - Anchor Bolts  
BA - Banner Arms  
FH - Flag Holders

\*Additional options available on website

For example, 140 30/30 = 2 7/8" OD & 3" long

10-29-2021