



K429 - ORION LED

The K429 Orion has a unique streamlined appearance with four decorative struts that add to its modern appeal. This impressive looking fixture is ideal for parking lots, waterfronts and streetscapes.



King Luminaire

PRODUCT SPECIFICATIONS

LED ENGINE

The light engine shall be an array of 4 or 6 Cree Chip On Board (COB) diodes mounted to a highly conductive aluminum extrusion with the use of 2 electrical connectors. The aluminum extrusion will be mechanically attached to a thermal heat sink at both the top and the bottom of the aluminum extrusion. It shall remain in thermal contact to the heat sinks with the use of conductive silicone. There will be an aluminum upright reflector in both Type III & Type V IESNA distribution patterns.

REFRACTIVE GLOBE

The prismatic refractor shall be made of injection moulded acrylic or polycarbonate. It shall maintain a minimum thickness of 1/4".

The acrylic globe is secured to the luminaire body by means of 3-3/8" x 1-3/4" stainless steel set screws.

LUMINAIRE CONSTRUCTION

All cast components shall consist of a heavy cast aluminum. The main body, or capital, acts as an enclosure for the driver assembly and is of adequate thickness to give sufficient structural rigidity. There are 4 cast aluminum decorative struts that are attached to the capital (bottom) and top globe ring.

The capital shall have an opening at the base tenon body to allow the luminaire to be mounted to a tenon of 3-1/2" maximum diameter. The luminaire shall be locked in place by means of heavy duty, stainless steel set screws.

DECORATIVE TOP

The top decorative portion of the K429 Orion is comprised of a one piece spun aluminum #1100 alloy with a minimum thickness of 0.040". It is attached to the top globe ring with the use of an aluminum hinge. The spinning is

held in place by three stainless steel latches. This allows for tool-less access to the optical chamber.

DRIVER

CSA certified and/or UL listed, manufactured by "Phillips Advance", or equivalent electronic programmable, constant light output (CLO) driver with a 0-10v dimming lead. Driver shall supply correct DC voltage and current to maintain proper operation of the emitters. The driver shall be UL1310/UL48 Class 1 certified, and contain over-circuit, over-voltage, and over-power protection. The driver shall be able to connect to AC input voltages within the range of 108 to 305 vac. The driver shall have a minimum life expectancy of 100,000 hrs with an operating case temperature range of -40°C to 60°C. The driver casing shall have a minimum ingress protection rating of IP67. Dimming capable using 1-10vdc (10% to 100%), 10v PWM, or resistance.

PHOTOMETRICS

Fixtures are tested to IESNA LM79 specifications. These reports are available upon request.

CHROMATICITY

High output COB LEDs come standard at 3000K & 4000K (+/- 300K) with a minimum nominal 70 CRI. Additional CCT emitters are available upon request.

LUMEN MAINTENANCE

Reported (TM21) and Calculated (L70) reports are available upon request with a minimum calculated value of 100,000 hrs.

WIRING

All internal wiring and connections shall be completed so that it will be necessary only to attach the incoming supply connectors to Mate-N-Loc connectors or to a terminal block. Mate-N-Loc shall be

certified for 600V operation. Internal wire connectors shall be crimp connector only and rated at 1000V and 150°C. All wiring to be CSA certified and/or UL listed, type SFF-2, SEWF-2, or SEW-2 No. 14 gauge, 150°C, 600V, and color coded for the required voltage.

THERMALS

Fixtures tested by a DOE sanctioned test facility to determine the maximum in-situ solder-point or junction-point temperatures of the LED emitters. This report is available upon request.

FINISH

Housing is finished with a 13 step KingCoat™ SuperDurable polyester TGIC powder coat. Standard colors include strobe white, brown metal, marina blue, gate gray, Chicago bronze, standard gold, standard black, federal green and rain forest. Please see our website for a complete list of colors. RAL or custom color matches are available.

SHIELDING

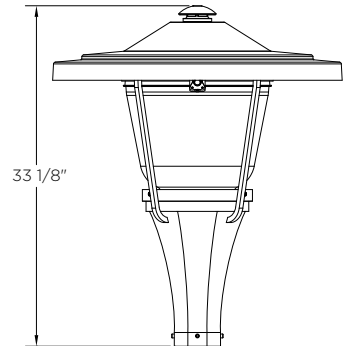
Fixtures have the ability to have shielding installed to limit/eliminate light trespass. Please enquire for specific shielding options available.

MISCELLANEOUS

All exterior hardware and fasteners, wholly or partly exposed, shall be stainless steel alloy. All internal fasteners are stainless steel or zinc coated steel. All remaining internal hardware is stainless steel, aluminum alloy, or zinc coated steel.

WARRANTY

The K429 Orion LED Luminaire comes with a 7 year limited warranty.



CERTIFICATION:

Suitable for wet locations
ISO 9001
IP66
DLC
ARRA Compliant
LM79 / LM80 Compliant

DRIVER INFO:

>0.9 Power Factor
<20% Total Harmonic Distortion
120 - 277V & 347 - 480V
-40°C Min. Case Temperature
60°C Max. Case Temperature
Surge Protection: ANSI C136.2
extreme level 20kV/10kA
Dimming Capable: 1-10vdc

EPA:

1.96 sq. ft.

FIXTURE WEIGHT:

45 lbs



