



SITE AMENITIES

FROM KING LUMINAIRE



THE BAYSHORE BENCH - KDB20



For years King Luminaire has been manufacturing the finest in outdoor lighting. From our decorative luminaires to our line of poles and pole accessories, we have prided ourselves on producing only the highest quality products. Inspired by the goal to complement our lighting products, King Luminaire is proud to introduce the KDB20 Bayshore Bench.

Constructed of a cast aluminum bench frame and 2-1/2" x 1" wooden slats, the KDB20 Bayshore bench is modeled after a popular design used by many cities and municipalities across North America. The cast aluminum ends provide graceful details while the wooden seat gives the bench a rustic feel, making it a versatile design to be used for any number of projects. The bench can be personalized with a plaque inset in the bench back, ideal for a commemorative or in memorial designation. The KDB20 comes standard with ipe wood seat slats but other wood material, such as ash, are also offered. Available in either 4, 6 or 8 foot lengths, each is equipped with anchor bolt mounting tabs to deter theft or vandalism. For further strength and stability, a 1.05" O.D. support bar is set between the two cast ends and two 1" seat support flat bars are attached to the seat slats, providing the support needed for the stresses public amenities take.

Finished with any one of King Luminaire's beautiful KingCoat colors, it is easy to see why this bench is a popular choice with cities, architects and designers alike.



Standard, premium and custom paint colors available, please contact us for details.

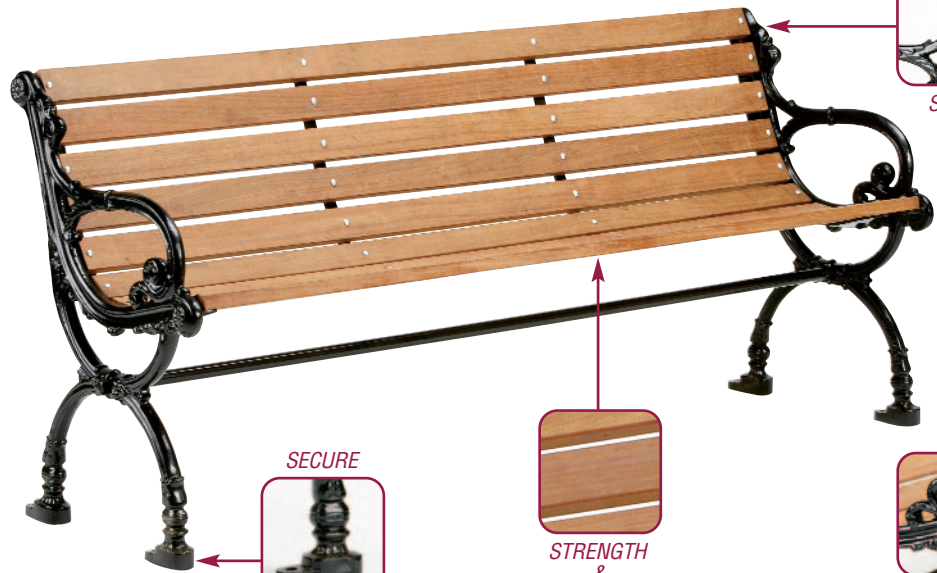
THE QUALITY IS KING. THE DESIGNS, TIMELESS.

THE BAYSHORE BENCH - KDB20



IPE (ee-pay) is a South American hardwood that is one of the strongest and hardest materials available,

making it ideal for use with outdoor site amenities. Due to its dense cell structure, it is extremely durable and resistant to splintering and checking and is also highly resistant to vandalism. IPE resists rot, mold and insect infestation without the use of toxic chemicals and is naturally fire resistant. It has one of the highest decay resistance ratings, 25+ years, but is known to last much longer. Harvested from sustainable forests only, it is light brown in color. The effects of the sun eventually change it to a beautiful silver patina color.



STYLE



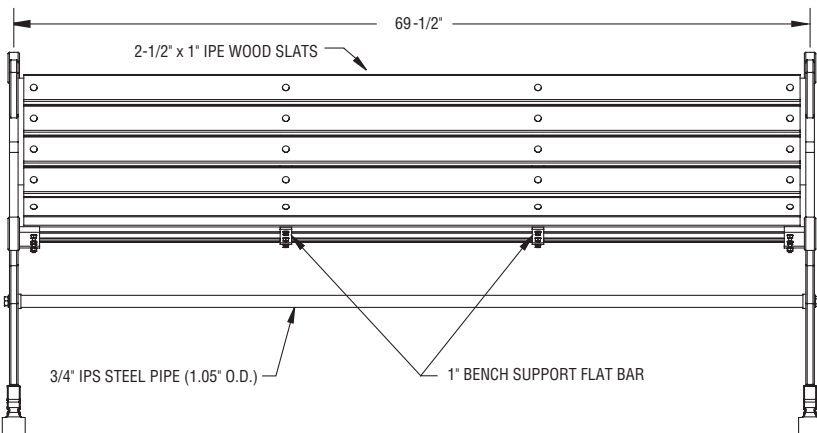
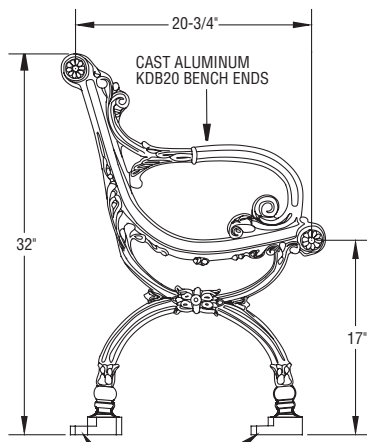
SECURE



STRENGTH & DURABILITY

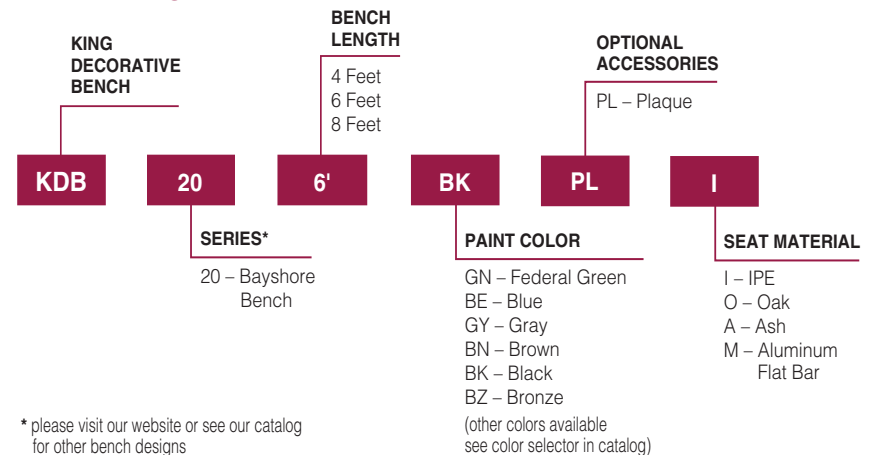


ELEGANCE



9/16" DIA. THRU HOLES S/F 1/2" - 13 UNC MOUNTING BOLTS (BY OTHERS)

How to Catalog



* please visit our website or see our catalog for other bench designs



King Luminaire • StressCrete • Est. 1953

**STRESSCRETE
GROUP**

www.kingluminaire.com • www.stresscrete.com

9200 Energy Lane
Northport, Alabama, USA 35476-3442
Tel: (205) 339-0711 Fax: (205) 339-4840
Toll Free 1-800-435-6563

1153 State Route 46N
Jefferson, Ohio, USA 44047
Toll Free 1-800-268-7809 Fax: (905) 632-8116

14503 Wallick Road
Atchison, Kansas 66002
Tel: (913) 255-3112 Fax: (913) 255-3124
Toll Free 1-800-837-1024

840 Walkers Line, P.O. Box 7
Burlington, Ontario, Canada L7R 3X9
Tel: (905) 632-9301 Fax: (905) 632-8116
Toll Free 1-800-268-7809