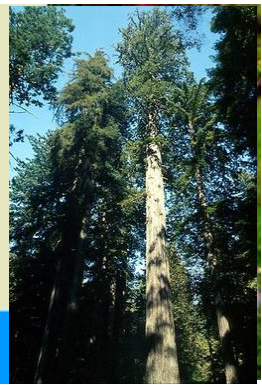


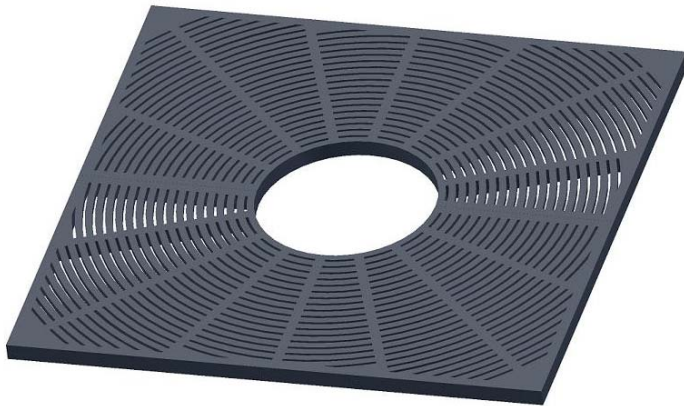


SITE AMENITIES

FROM KING LUMINAIRE



King TREE GRATE– KTG20



King Luminaire will accept no compromise regarding the quality of our products. The same dedication that has gone into manufacturing King's light fixtures and poles has been applied to our new line of site amenities. Insistence on uncompromising quality, outstanding durability, and painstaking attention to detail has resulted in an unrivaled line of decorative site amenities that are the ideal choice for any application.

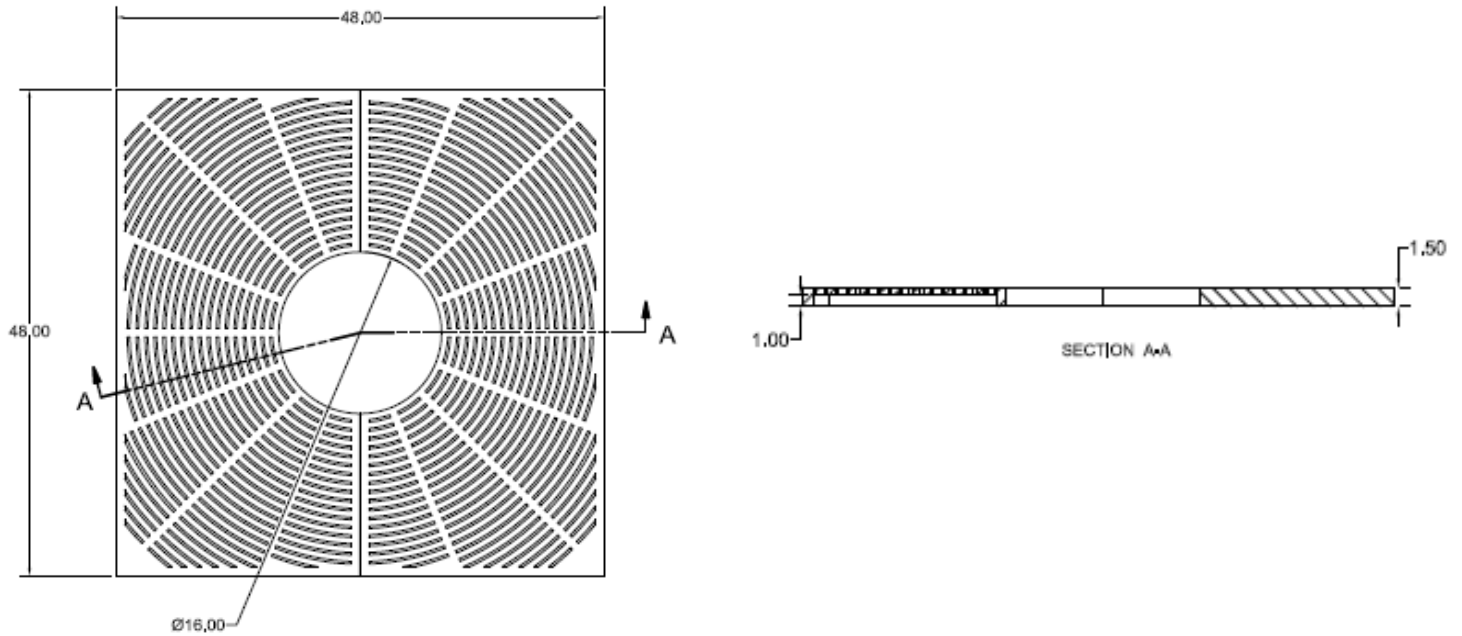
The King Tree Grate two-piece design offers flexibility for easy access, removal, or placement around existing trees. Cast from iron, with a simple slot pattern, the King Tree Grate will enhance any architectural setting while allowing for proper development of trees by offering easy watering and drainage. In addition to enhancing the look of sidewalks and parks, it protects trees while allowing pedestrian traffic over the area. The tree grate is easy to assemble and remove, fits over most areas, and is extremely durable. It also provides maintenance benefits as it helps to control weeds and trash accumulation. To address environmental concerns, King built the KTG20 tree grate to promote moisture, air and light to the grate holes. This provides the protection required for healthy trees, as well as providing ample room for trees to grow.

Perfect for all urban settings with high pedestrian traffic, the King Tree Grate will provide trees with the protection of urban life.

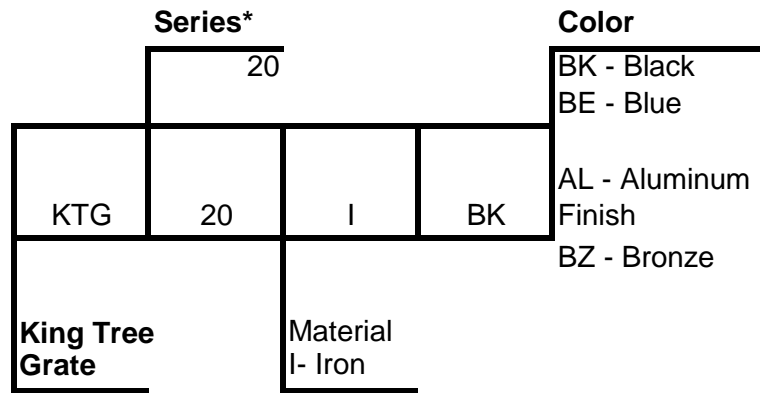


Standard, premium and custom paint colors available. Please contact us for details

TREE GRATE- KTG20



How to catalog



*Please visit our website or see our catalog for other site amenity options



King Luminaire • StressCrete

**STRESSCRETE
GROUP**

9200 Energy Lane
Northport Alabama 35476-3442
(205)-339-0711
1-800-435-6563
Fax: (205) 339-4840

14503 Wallick Road
Atchison, Kansas 66002
(913)-255-3112
1-800-837-1024
Fax: (913) 255-3124

1153 State Route 46 North
P.O. Box 266
Jefferson, Ohio 44047
1-800-268-7809
Fax: (913) 255-3124

840 Walkers Line
P.O. Box 7
Burlington, Ontario L7R3X9
(905)-632-9301
1-800-268-7809
Fax: (905) 632-8116