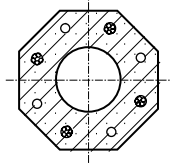


Octagonal Class A - Light Duty Pole

Octagonal Class A - Light Duty Pole



Physical Details:

- Octagonal symmetrically tapered shaft.
- 5.375" flat to flat pole tip.
- 0.125" per linear ft. taper increase.
- 600 lb. transverse bending strength (2 ft. from tip).
- Mold finish is standard but optional etched or polished finish and Decor colors are available.
- For various luminaire mounting details, please reference arms and accessories.

Direct Embedment

Pole Catalog Number	Pole Height Above Grade	Assumed Embedment Depth*	Overall Pole Length	Pole Butt Flat to Flat (Inches)	Ultimate Ground-Line Moment (ft. lbs.**)	Nominal Weight (lbs.)
E-150-APO-G	11' 0"	4' 0"	15' 0"	7.25	5400	495
E-175-APO-G	13' 6"	4' 0"	17' 6"	7.56	6500	600
E-200-APO-G	16' 0"	4' 0"	20' 0"	7.88	8400	710
E-225-APO-G	18' 6"	4' 0"	22' 6"	8.19	9900	825
E-250-APO-G	20' 0"	5' 0"	25' 0"	8.50	10800	975
E-275-APO-G	22' 6"	5' 0"	27' 6"	8.81	12300	1110
E-300-APO-G	25' 0"	5' 0"	30' 0"	9.13	13800	1255
E-325-APO-G	27' 0"	5' 6"	32' 6"	9.44	15000	1400
E-350-APO-G	29' 6"	5' 6"	35' 0"	9.75	16500	1555
E-375-APO-G	32' 0"	5' 6"	37' 6"	10.06	18000	1735
E-400-APO-G	34' 0"	6' 0"	40' 0"	10.38	19200	1990

Base Plate

Pole Catalog Number	Pole Height Above Grade	Pole Butt Flat to Flat (Inches)	Base Plate Size (Inches)	Bolt Circle*** (Inches)	Ultimate Ground-Line Moment (ft. lbs.**)	Nominal Weight (lbs.)
P-150-APO-G	15' 0"	7.25	11.5 x 11.5	11.5	7800	538
P-175-APO-G	17' 6"	7.56	11.5 x 11.5	11.5	9300	640
P-200-APO-G	20' 0"	7.88	11.5 x 11.5	11.5	10800	750
P-225-APO-G	22' 6"	8.19	11.5 x 11.5	11.5	12300	870
P-250-APO-G	25' 0"	8.50	11.5 x 11.5	11.5	13800	1020
P-275-APO-G	27' 6"	8.81	11.5 x 11.5	11.5	15300	1155
P-300-APO-G	30' 0"	9.15	11.5 x 11.5	11.5	16800	1300
P-325-APO-G	32' 6"	9.44	14.5 x 14.5	17	18300	1480
P-350-APO-G	35' 0"	9.75	14.5 x 14.5	17	19800	1635

* Recommended burial depth for normal soils. Where large imbalanced loads are applied or soil strength is questionable, deeper burial may be necessary.

** Ultimate Ground Line Moment = Height above grade minus 2 ft x transverse bending strength.

*** Anchor bolt information - 11.5" BC uses 3/4" x 27" anchor bolts. 17" BC uses 1" x 36" anchor bolts.

Class - EPA Loading

	Pole Height Above Grade	Post Top & Bal. Loads	Imbalanced Loads		
			4' arm	6' arm	8' arm
90 MPH	20	13 3/4	12	10 3/4	9 1/4
	25	11 1/4	9 3/4	9	7 3/4
	30	8 3/4	7 1/2	6 3/4	5 3/4
	35	6	5	4 1/2	3 3/4
100 MPH	20	9 3/4	8 1/2	7 1/2	6 1/4
	25	7 1/4	6 1/2	5 3/4	4 3/4
	30	5	4	3 1/2	2 3/4
	35	2 1/2	1 3/4	1 1/4	1/2
110 MPH	20	7	5 3/4	5	4
	25	4 3/4	3 3/4	3 1/4	2 1/2
	30	2 1/4	1 1/2	1	1/2
	35	---	---	---	---
120 MPH	20	4 3/4	4	3 1/4	2 1/4
	25	2 3/4	1 3/4	1 3/4	3/4
	30	1/4	---	---	---
	35	---	---	---	---
130 MPH	20	3 1/4	2 1/4	1 3/4	1
	25	1 1/4	1/4	---	---
	30	---	---	---	---
	35	---	---	---	---
140 MPH	20	1 3/4	1 1/4	3/4	---
	25	---	---	---	---
	30	---	---	---	---
	35	---	---	---	---
150 MPH	20	3/4	1/4	---	---
	25	---	---	---	---
	30	---	---	---	---
	35	---	---	---	---

Decor Colors & Finishes

Color	Eclipse (Black)	Ash White	Pearl Gray	Dusty Rose	Aztec Jade (Green)	Desert Sand (Buff)	Saluki Bronze (Brown)
Finish							
Etched Finish	E11	E35	E40	E41	E51	E70	E90
Polished	S11	S35	S40	S41	S51	S70	S90

Mold finish, catalog #M00, is standard on all poles. Decor colors and finishes must be specified. A clear acrylic coating is standard on all Decor poles.

◀ When selecting a pole strength class, care must be taken to ensure it will carry the desired EPA loading of arm and luminaire for the wind conditions at your location. If you are unsure of your location's wind condition, please reference Isotach Map in General and Technical section.



Streetlighting Arms and Accessories

Spun concrete poles can be adapted to fit most arms or accessories. Our standards are detailed in the "Arms and Accessories" section of this catalog. If a specific item is not shown, please call your local representative or our sales office.

When requesting StressCrete to supply arms, please ensure compatibility with luminaire.

Finishes

Mold finish is standard on all poles. If a Decor or custom finish is desired it must be specified in the pole catalog number. Please see lower right front page for information, or turn to Decor section.

Standard Openings and Handholes

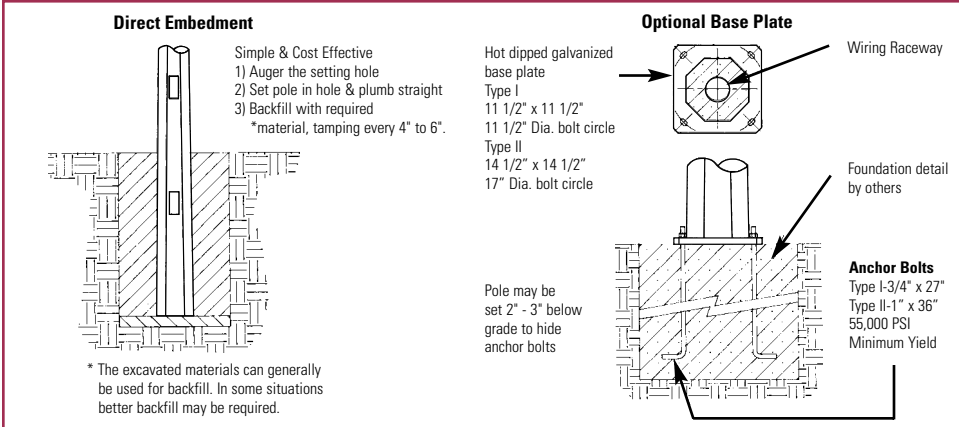
(For more detailed information, please reference General and Technical section.)

- 2 1/2" x 8" is the standard handhole box located 18" above grade. Both it and the tight fitting coverplate are available in non-metallic, non-conductive injection molded material or a rugged high density cast zinc.
- Standard coverplate fasteners are 1/4" stainless steel with either Allen (hex) head for the United States or black Robertson #3 (square) head in Canada. Tamperproof and non-standard fasteners are available but must be specified.
- Standard above grade wiring apertures vary with arm selection but are generally 1 1/4" diameter holes or 1 1/2" x 3" openings. Below grade apertures are 2 1/2" x 5" double openings 18" below grade in line with handhole.
- Non-standard sizes can be made available on request; please contact our sales office.
- Galvanized steel or zinc inserts are available in 1/8" increments from 1/4" through 3/4".
- Through holes are nominal 1/2", 3/4", or 1".

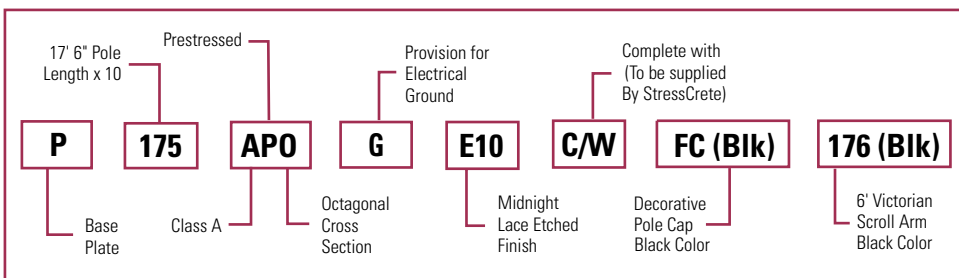
Electrical Grounding

The last letter of our pole catalog number "G" specifies that the pole will be supplied complete with a #6 stranded copper ground wire. When properly connected, this will electrically ground the pole. If the pole is not to be electrically grounded, simply delete the letter "G" from the catalog number.

Footings

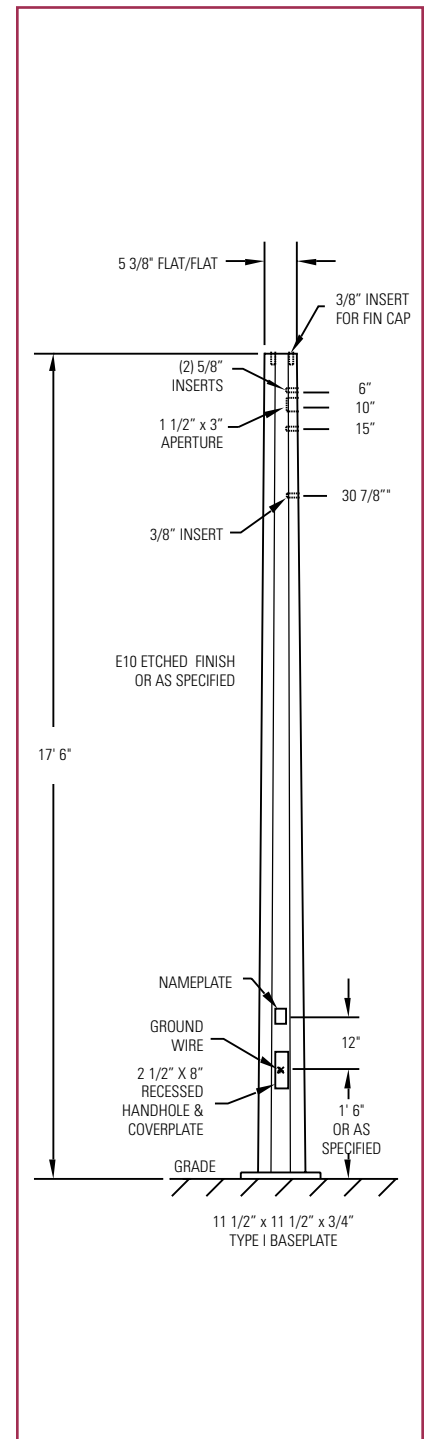


Typical Catalog Numbers



Typical for all types:

1. Select footing type - direct embedment or base plate.
2. Select pole length - if direct embedded allow for embedment length.
3. Select shape and strength of pole.
4. If required, select provision for electrical grounding of pole.
5. If desired, select Decor color and finish.
6. Select luminaire mounting style - see arms and accessories.



StressCrete