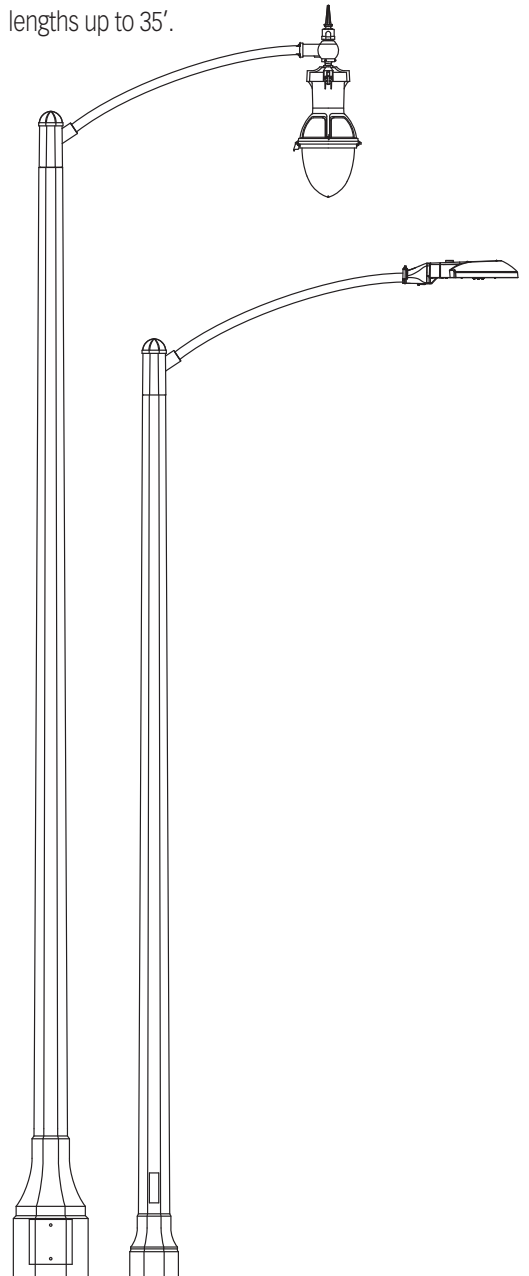


# THE CENTENNIAL

The classic lines of both the Centennial C1 and Centennial C2 make this family suitable for many applications and the perfect fit for many of King Luminaire's decorative post top and pendant luminaires. The C1 Centennial offers a stepped Octagonal 13" base with a tapered Octagonal pole shaft available in lengths up to 30'. The C2 Centennial has a larger base and is available in lengths up to 35'.



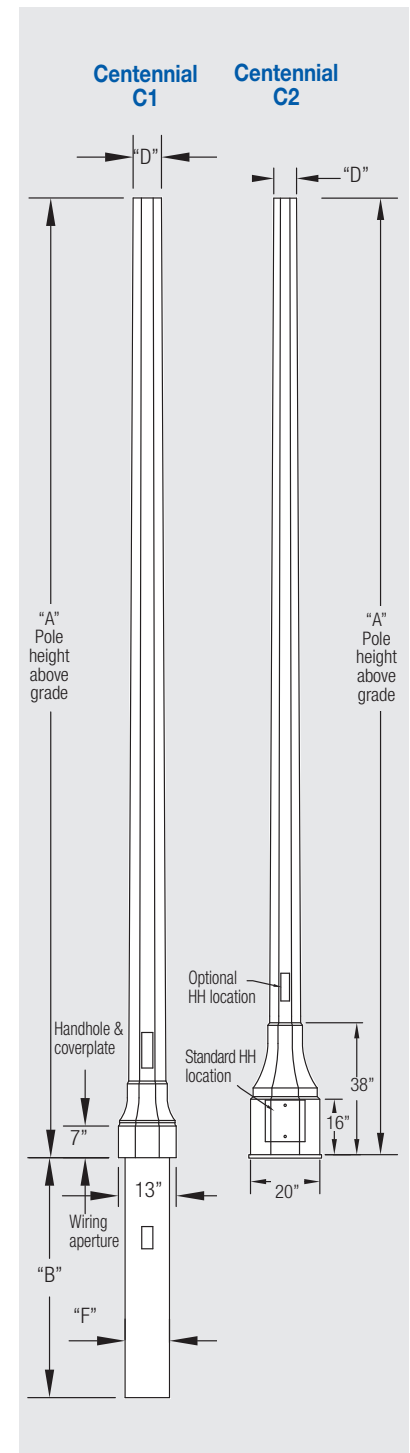
## Specification Details

Description	Catalog Number	"A" Pole Height Above Grade	"D" Tip Dimension	"B" Direct Burial Length & "F" Dia.	Pole Weight Direct Burial	Pole Weight Base Plate
Centennial C1	KCT112	12' 0"	7"	4' 6" x 10"	1050 lbs	850 lbs
Centennial C1	KCT115	15' 0"	6 3/4"	4' 6" x 10"	1150 lbs	950 lbs
Centennial C1	KCT118	18' 0"	6 3/8"	5' 0" x 10"	1280 lbs	1050 lbs
Centennial C1	KCT120	20' 0"	6 1/8"	5' 0" x 10"	1380 lbs	1150 lbs
Centennial C1	KCT122	22' 0"	5 7/8"	5' 0" x 10"	1480 lbs	1250 lbs
Centennial C1	KCT125	25' 0"	5 1/2"	5' 0" x 10"	1600 lbs	1370 lbs
Centennial C1	KCT130	30' 0"	5"	5' 0" x 10"	1750 lbs	1520 lbs
Centennial C2	KCT212	12' 0"	7 7/8"	N/A	N/A	1200 lbs
Centennial C2	KCT215	15' 0"	7 1/2"	N/A	N/A	1300 lbs
Centennial C2	KCT218	18' 0"	7 1/8"	N/A	N/A	1400 lbs
Centennial C2	KCT220	20' 0"	7"	N/A	N/A	1500 lbs
Centennial C2	KCT222	22' 0"	6 3/4"	N/A	N/A	1600 lbs
Centennial C2	KCT225	25' 0"	6 3/8"	N/A	N/A	1700 lbs
Centennial C2	KCT230	30' 0"	5 3/4"	N/A	N/A	1800 lbs
Centennial C2	KCT235	35' 0"	5 1/8"	N/A	N/A	1900 lbs

## How to Catalog for Centennial C1 & C2 Concrete Pole

Pole Style	Finish	Footing Details	Coating
KCT1 <sup>1</sup> KCT2 <sup>2</sup>	E – Etched Finish S – Polished Finish	DB – Direct Buried <sup>3</sup> FBP – Flush Baseplate SBP – Stub Baseplate <sup>3</sup>	NA – Non Acrylic A – Acrylic AG – Anti Graffiti Coating***
<b>KCT1</b>	<b>E</b>	<b>DB</b>	<b>GFI</b>
<b>30'</b>	<b>40</b>	<b>140 30/30</b>	<b>NA</b>
<b>Height</b>	<b>Color**</b>	<b>Tenon (Post Top Mount)</b>	<b>Options*</b>
12' - 35'	10 – Midnight Lace 11 – Eclipse Black 30 – Salt & Pepper 40 – Pearl Gray 90 – Saluki bronze	Specify Tenon Size For example 140 30/30 = 2 7/8" OD & 3" long	DR – Duplex Receptacle GFI – Ground Fault Duplex Receptacle SR – 1 Outlet LRN – Ladder Rest BPC – Base Plate Cover AB – Anchor Bolts BA – Banner Arms FH – Flag Holders

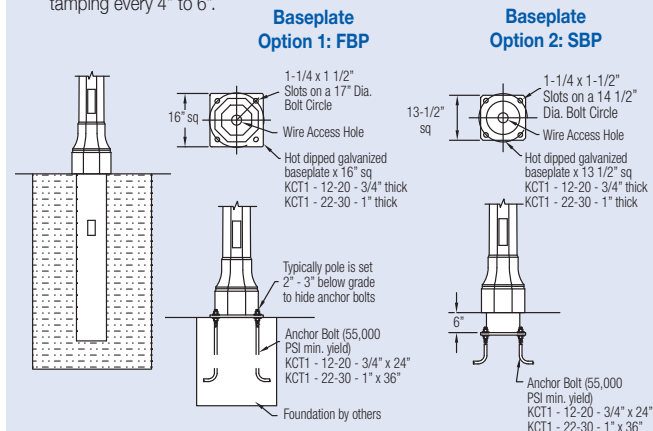
\* Consult website for full listings. \*\* See decor colors on page 2 for full selection of colors.  
\*\*\*Anti Graffiti Coating is extra, consult factory for more details.  
<sup>1</sup> 12'- 30' <sup>2</sup> 12'- 35' <sup>3</sup> only available for C1



## Footing Details - Centennial C1

### Direct Buried (Simple and Cost Effective)

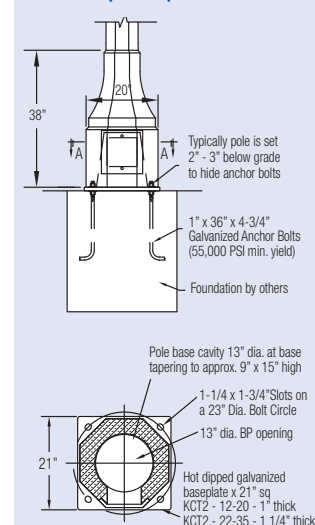
1. Auger the setting hole.
2. Set pole in hole and plumb straight.
3. Backfill\* with required backfill tamping every 4" to 6".



\*Generally the excavated material can be used for backfill, in some situations better backfill may be required.

## Centennial C2

### Baseplate Option 1: FBP



Typical Pole Cross Section