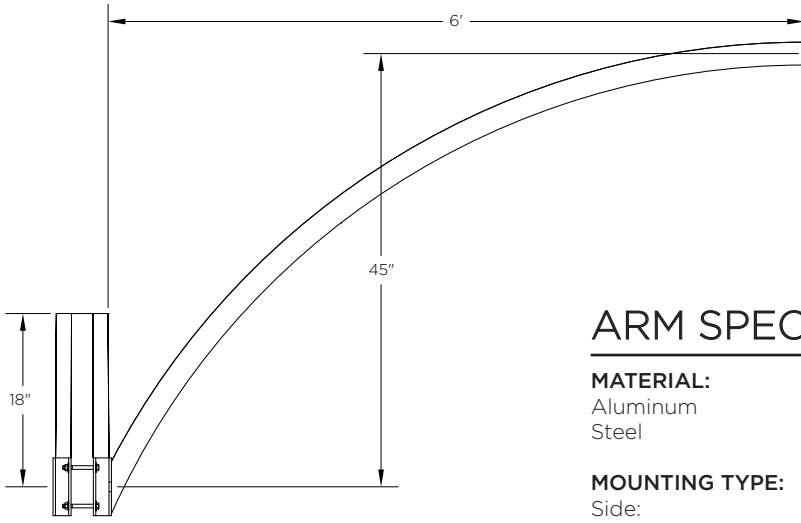


# KA160 // CLAMP ON HIGH-RISE PIPE ARM

## STREET LIGHT ARM



The King Luminaire KA160 Street Light Arm is a simple yet elegant clamp on arm. This side clamp on arm is available in a variety of lengths, in single or double arm configurations, in both aluminum and steel. The KA160 is an idea solution for any street lighting situation.

### ARM SPECIFICATIONS

**MATERIAL:**  
Aluminum  
Steel

**MOUNTING TYPE:**  
Side:  
Octagonal  
Round

**ARM QUANTITY:**  
Single  
Double

**ARM LENGTHS:**  
4'  
6'  
8'  
10'

**FINISH:**  
Available in textured or smooth.

**EPA**  
1.11 - 5.80 sq. ft.

**WEIGHT**  
17 - 168 lbs

**MOUNTING DETAILS:**  
Side Mount Octagonal:  
Suitable for 5 3/8" - 6" FL/FL Pole Top

Side Mount Round:  
Suitable for 6 1/2" Ø Pole Top

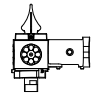
#### ARM DIMENSIONS:

Run	Rise
4'	32"
6'	45"
8'	45"
10'	57"

#### LEVELING DEVICE:



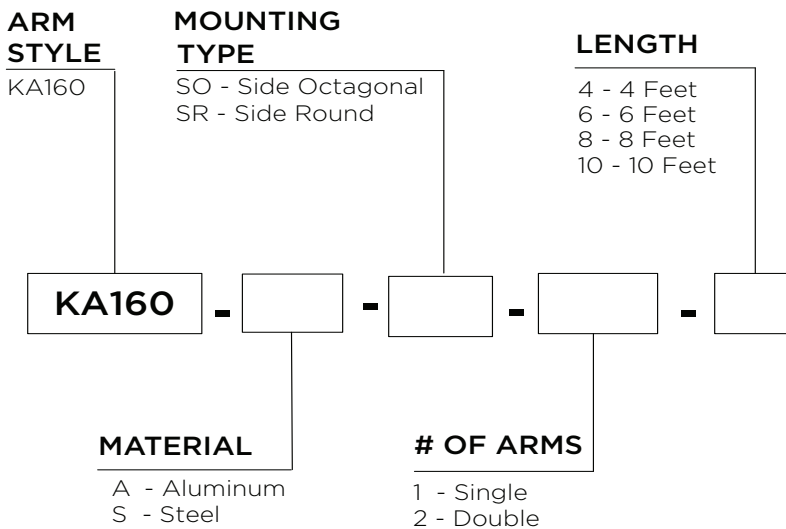
KPL20



KPL30

\*See leveling device spec sheet for more options

### HOW TO ORDER



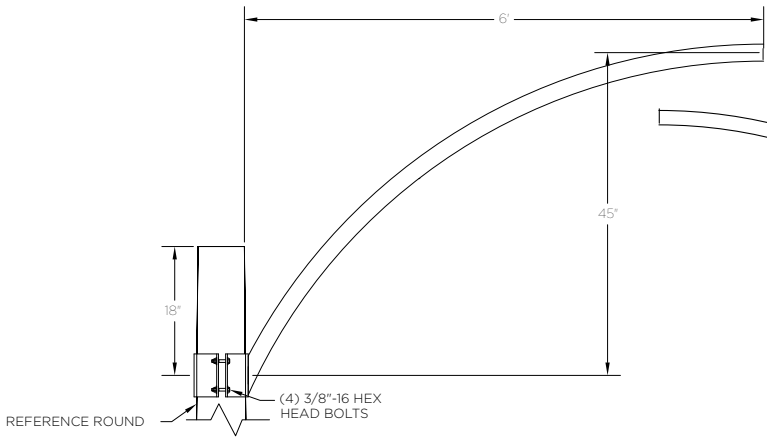
### EPA & WEIGHT

Catalog Number	Mount Type	# of Arms	L. (ft)	EPA (sq ft)	Wt. (lbs)
KA160-A-SO/SR-1-4	SO/SR	1	4	1.11	17
KA160-A-SO/SR-1-6	SO/SR	1	6	1.67	20
KA160-A-SO/SR-1-8	SO/SR	1	8	1.99	22
KA160-A-SO/SR-1-10	SO/SR	1	10	2.90*	32*
KA160-A-SO/SR-2-4	SO/SR	2	4	2.22	30
KA160-A-SO/SR-2-6	SO/SR	2	6	3.25	35
KA160-A-SO/SR-2-8	SO/SR	2	8	3.97	39
KA160-A-SO/SR-2-10	SO/SR	2	10	5.80*	58*
KA160-S-SO/SR-1-4	SO/SR	1	4	1.11	50
KA160-S-SO/SR-1-6	SO/SR	1	6	1.67	58
KA160-S-SO/SR-1-8	SO/SR	1	8	1.99	64
KA160-S-SO/SR-1-10	SO/SR	1	10	2.90*	93*
KA160-S-SO/SR-2-4	SO/SR	2	4	2.22	87
KA160-S-SO/SR-2-6	SO/SR	2	6	3.25	102
KA160-S-SO/SR-2-8	SO/SR	2	8	3.97	113
KA160-S-SO/SR-2-10	SO/SR	2	10	5.80*	168*

\* indicates an Engineering assumed value  
01-17-2023

# CONFIGURATION OPTIONS

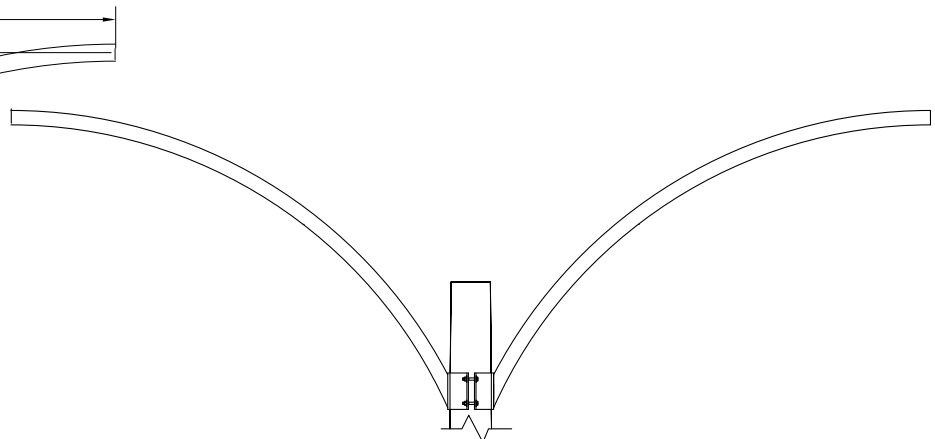
KA160 STREET LIGHT ARM



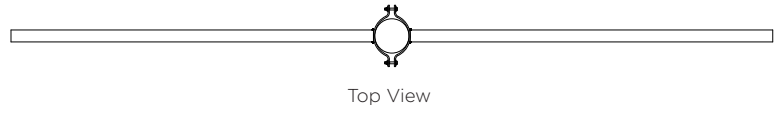
Round Side Mount Single Arm



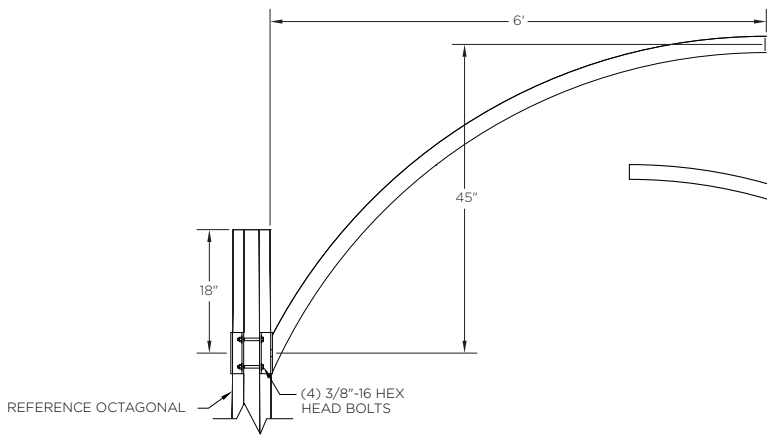
Top View



Round Side Mount Double Arm



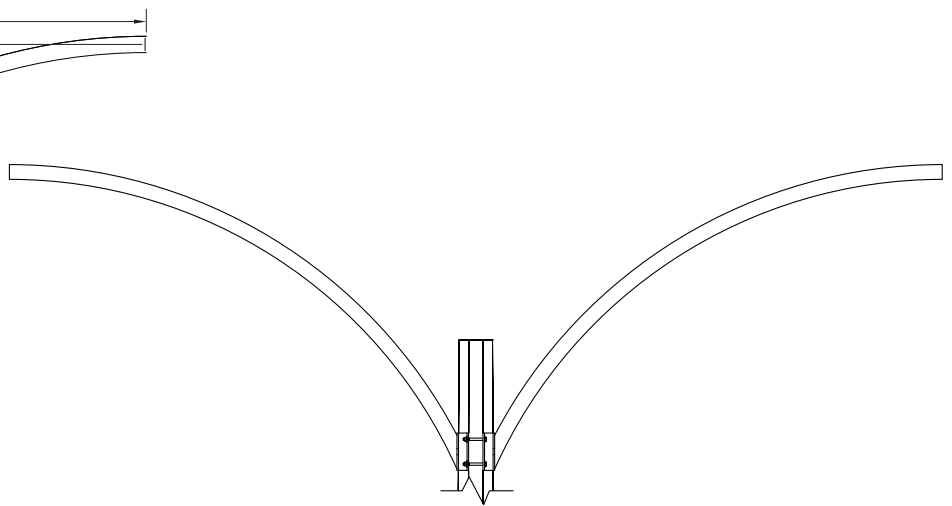
Top View



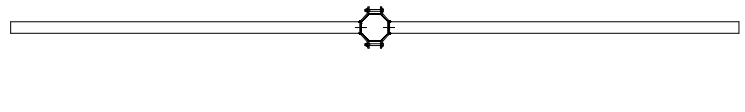
Octagonal Side Mount Single Arm



Top View



Octagonal Side Mount Double Arm



Top View