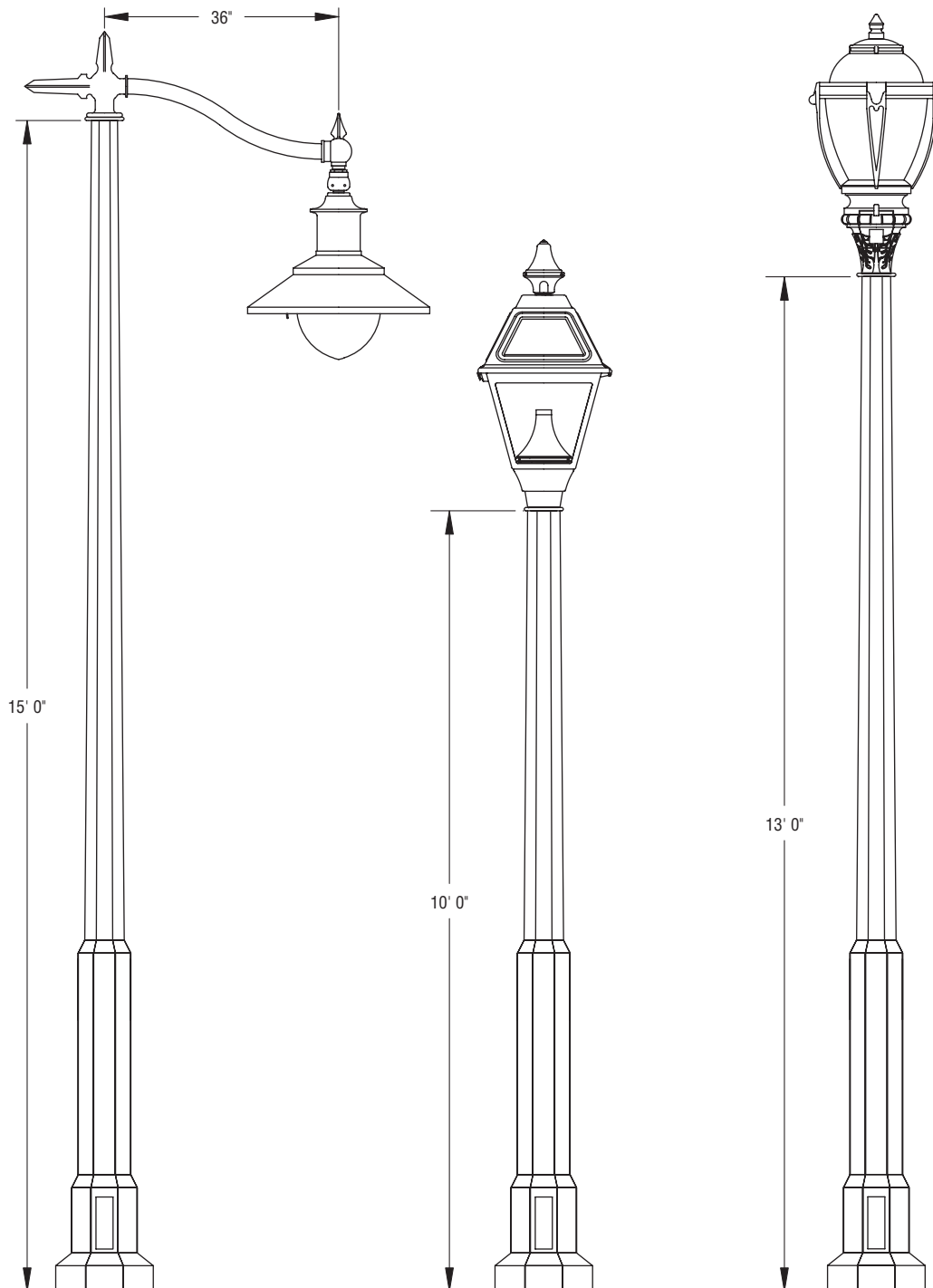


THE CLASSIQUE

M I L L E N N I U M S E R I E S

Cast Aluminum Pole



Due to the inordinate success of StressCrete's spun concrete Classic series, King is now proud to introduce a cast aluminum version of the Classic Coachman. To minimize any confusion, this pole will be known as the Classique. It may be used in those situations where the design appeals, but a metallic theme is preferred. Like its spun concrete sibling, the simple lines and dimensions of the Classique enable it to complement any theme, whether nostalgic or contemporary. Available in heights from 10' - 15', the Classique covers most pedestrian scale requirements and may be successfully used either as a post top or with a single/multiple arm.

Material

The pole shall be a **one-piece tapered heavy walled cast aluminum** construction. All hardware shall be corrosion resistant stainless steel and anchor bolts to be hot dip galvanized.

Dimensions

The pole shall be XX' in height with a 14" two-piece, aluminum base cover that neatly hides the base plate and anchor bolts. It is supplied complete with a tamper resistant 2-5/8" x 8" access door and a 1/2" grounding stud. A tenon shall be provided at the top of the shaft, 3-1/2" OD x 3". Other size tenons are available upon request.

Installation

The pole shall be supplied complete with 4 anchor bolts, 3/4" x 27", 55,000 PSI minimum yield strength, galvanized to ASTM A-153, with a threaded end, 2 oversized washers and 2 hex nuts for double nutting. Anchor bolt certification is available upon request.

Finish

The pole shall have a powder coat finish, which utilizes our "**KingCoat**" electrostatic paint system, offering a durable long-lasting finish. For color selections, please see our KingCoat color brochure in our catalog or on our website.



KING LUMINAIRE™

How to Catalog

Description	Catalog Number	Pole Height	Pole Top Flat to Flat	Pole Weight (lbs)
Classique 10'	KM96FC-10	10' 0"	5"	134
Classique 13'	KM96FC-13	13' 0"	4 3/8"	153
Classique 15'	KM96FC-15	15' 0"	4"	165

How to Order

Catalog Number	Height	Option	Option	Option
KM96FC	13'	DR	BA	BK
Optional Items				
DR	GFI Duplex Receptacle generally located one foot from top of pole.			
BA	Banner Arms supplied to required length			
FH	Flagholder orientated to specification			
LRN	Ladder Rest			
FFP	KingCoat Finish Paint			
	GN - Green	GY - Gray	BK - Black	
	BE - Blue	BN - Brown	BZ - Bronze	
	<i>*Custom colors available upon request.</i>			

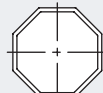
Luminaires

Select from King's vast array of historically accurate luminaires with unmatched modern photometric performance. To select the luminaire for your application, refer to the "Luminaire" section of our catalog or website.

Decorative Arms

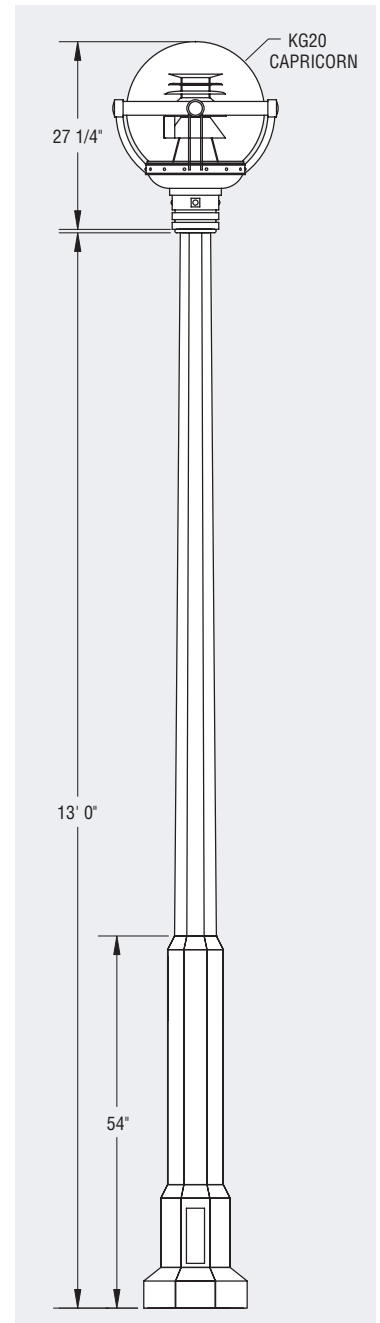
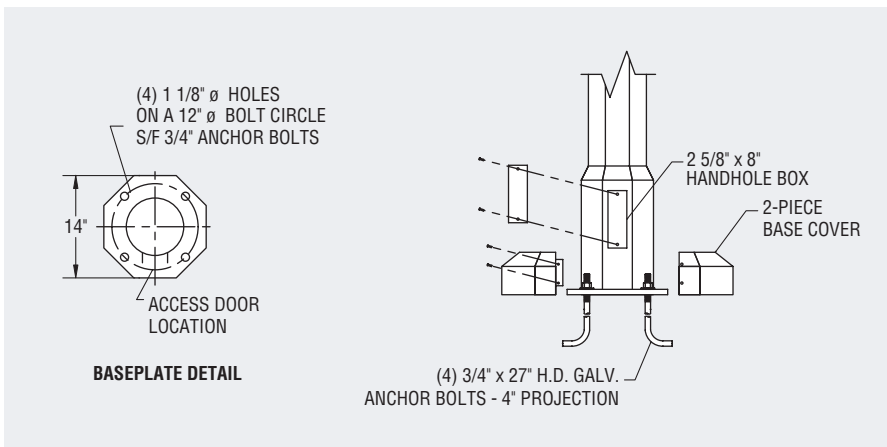
King offers a wide selection of single, twin, and multiple arms, from finely detailed, historically accurate reproductions to more recent custom designs. To specify, refer to the "Arms and Capitals" section of our catalog or website.

Shaft Cross Section



Taper of Shaft: .20"/ft.

Anchor Bolt / Base Plate Detail



KING LUMINAIRE™

www.kingluminaire.com

9200 Energy Lane
Northport, Alabama, USA 35476-3442
Tel: (205) 339-0711 Fax: (205) 339-4840
Toll Free 1-800-435-6563

1153 State Route 46N
Jefferson, Ohio, USA 44047
Toll Free 1-800-268-7809 Fax: (905) 632-8116

14503 Wallick Road
Atchison, Kansas 66002
Tel: (913) 255-3112 Fax: (913) 255-3124
Toll Free 1-800-837-1024

840 Walkers Line, P.O. Box 7
Burlington, Ontario, Canada L7R 3X9
Tel: (905) 632-9301 Fax: (905) 632-8116
Toll Free 1-800-268-7809