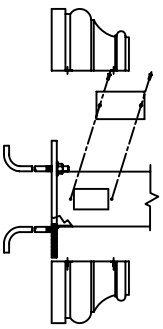
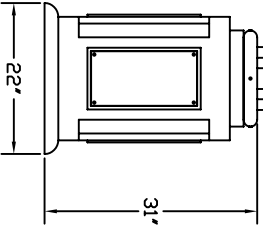
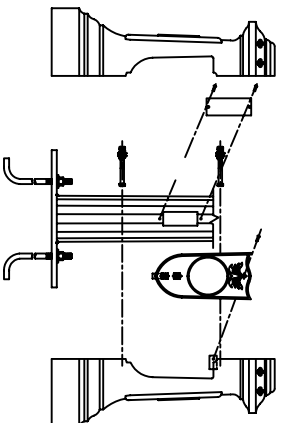
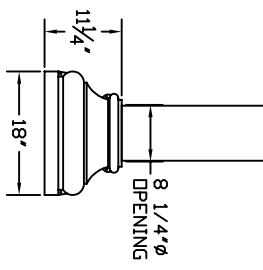


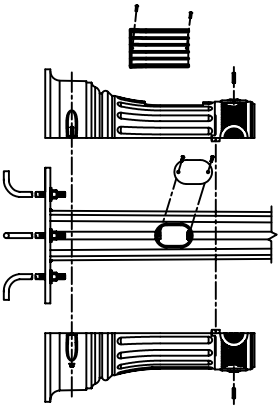
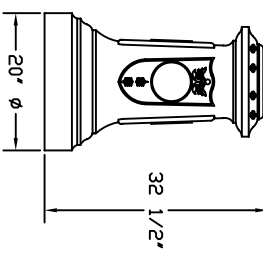
KMS17 ROCHESTER



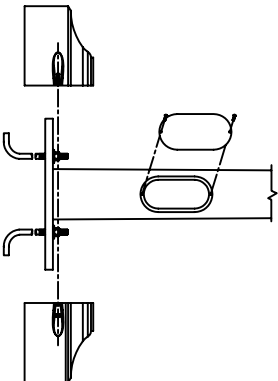
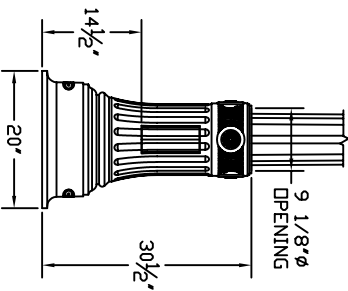
KM90 CANTERBURY



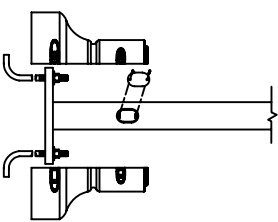
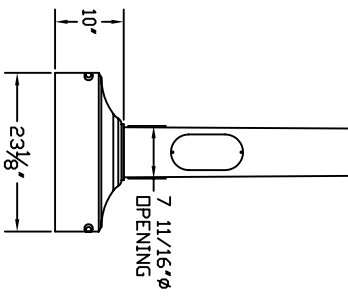
KSS208 FLEUR DE LIS



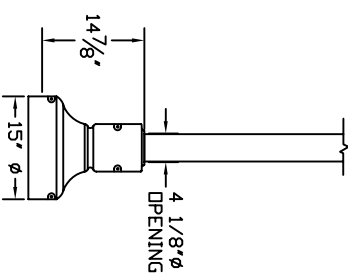
KSB19 SUMNER



KSB89 DUNDAS



KSB97 BLUE MOUNTAIN



REV.	ALTERATION	DATE	BY
A	CHANGED FOR SUMNER, DUNDAS & BLUE MOUNTAIN POLES	02/26/04	A.A.
B	SPEC. OF SHAFT REMOVED FROM CAT. # SUMNER SPLIT BASE WAS KSB28	03/26/04	A.A.
C	ADDED KSB71, 72, 73, & 74	09/30/04	M.R.P.
D	BASE OPENINGS & KSB75 ADDED.	04/25/05	M.M.
E	ADDED KSB78, KSB78-A, & KSB78-B	06/01/05	M.R.P.
F	ADDED KSB80 & KSB82.	07/25/05	M.M.
G	KSB75 OPENING WAS 6 1/8".	08/08/05	M.M.
H	GLENMORE BASE REMOVED.	09/26/06	M.M.
I	SHEET 3 ADDED.	01/30/07	M.M.

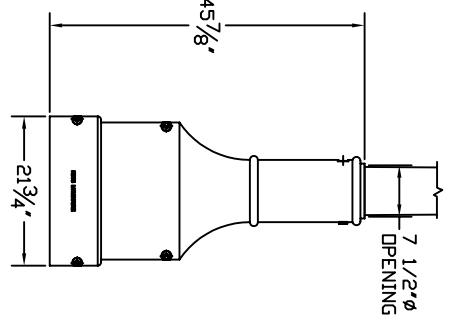
KING LUMINAIRE
 COMPANY INC.
 840 WALKER'S LINE, P.O. BOX 7
 BURLINGTON, ONTARIO, CANADA L7R 3K9
 P.O. BOX 266 JEFFERSON, OHIO
 1153 STATE ROUTE 46N
 U.S.A. 44047

DRAWN BY:	ARNOLD ALVELA	DATE:	01/13/04	DWG. SIZE:	REV.
CHECKED BY:		SCALE:	1:1	CAD. NO.:	1
MATERIAL SPECIFICATION: \DWGS\206A2420					

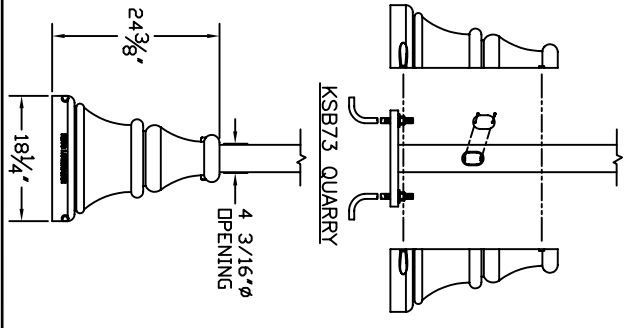
PROJECT:		SPLIT BASES	
DRAWING NAME:	CONCEPT DRAWING	DRAWING NO.:	206A2420
		SHEET 1	OF 3



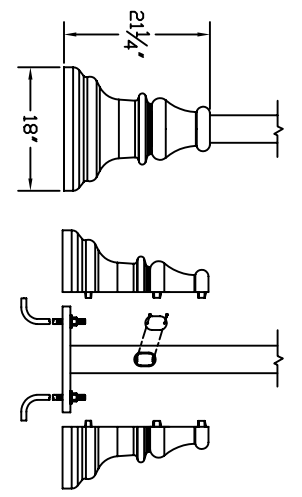
KSB71 MANTOBA



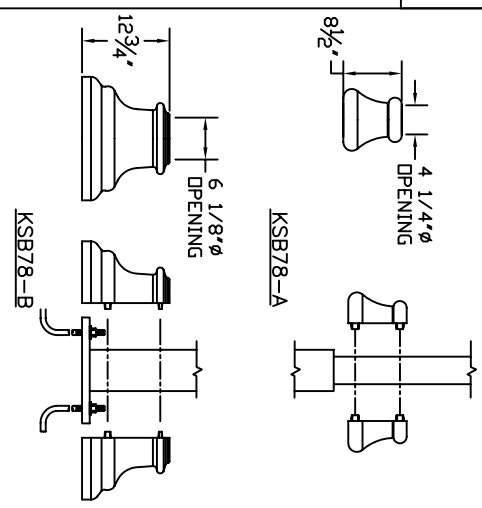
KSB72 JENKS



KSB73 QUARRY

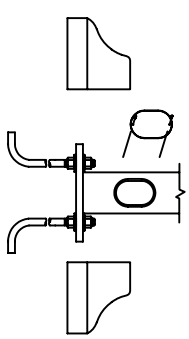


KSB78 KETTLE CREEK

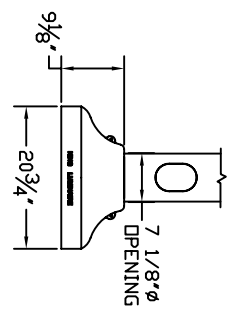


KSB78-A

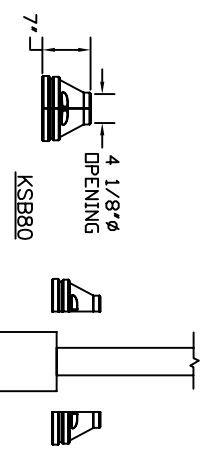
KSB78-B



KSB75 WOODLAND



KSB82



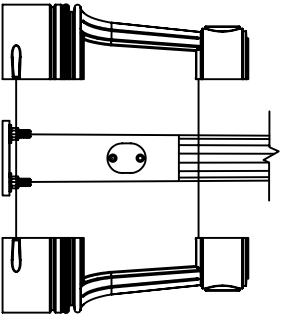
KSB80

REV.	ALTERATION	DATE	BY
A	CHANGED FOR SUMNER, DUNDAS & BLUE MOUNTAIN POLES	02/26/04	A.A.
B	SPEC. OF SHAFT REMOVED FROM CAT. # SUMNER SPLIT BASE WAS KSB78	03/26/04	A.A.
C	ADDED KSB71, 72, 73, & 74	09/30/04	M.R.P.
D	BASE OPENINGS & KSB75 ADDED.	04/25/05	M.M.
E	ADDED KSB78, KSB78-A, & KSB78-B	06/01/05	M.R.P.
F	ADDED KSB80 & KSB82.	07/25/05	M.M.
G	KSB75 OPENING WAS 6 1/8"	08/08/05	M.M.
H	GLENMORE BASE REMOVED.	09/26/06	M.M.
I	SHEET 3 ADDED.	01/30/07	M.M.

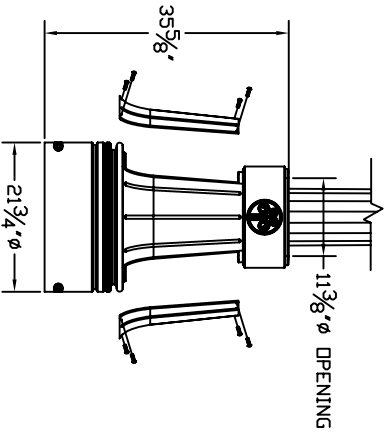
KING LUMINAIRE
 COMPANY INC.
 840 WALKER'S LINE, P.O. BOX 7, BURLINGTON, ONTARIO, CANADA L7R 3K9
 1153 STATE ROUTE 46N, U.S.A. 44047
 P.O. BOX 266 JEFFERSON, OHIO

DRAWN BY:	ARNOLD ALVELA	DATE:	01/13/04	DWG. NO.:	206A2420	REV.:	1
CHECKED BY:		SCALE:	1:1	CAD. NO.:	VDWGS\206A2420		

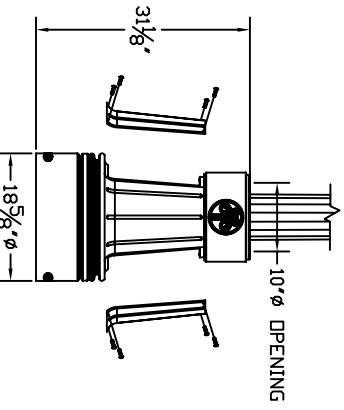
PROJECT:	SPLIT BASES		
DRAWING NAME:	CONCEPT DRAWING	DRAWING NO.:	206A2420
		SHEET 2	OF 3



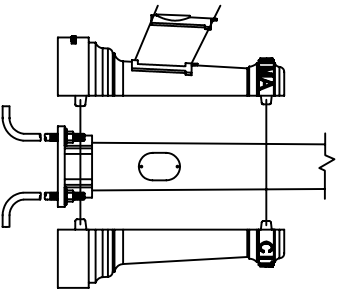
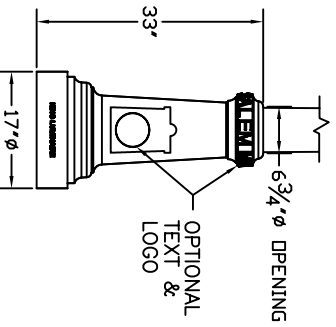
KSB76 MONTGOMERY SR.



KSB77 MONTGOMERY JR.



KSB85 SALEM



REV.	ALTERATION	DATE	BY
A	CHANGED FOR SUMNER, DUNDAS & BLUE MOUNTAIN POLES SPEC. OF SHAFT REMOVED FROM CAT. #	02/26/04	A.A.
B	SUMNER SPLIT BASE WAS KSB28	03/26/04	A.A.
C	ADDED KSB71, 72, 73, & 74	09/30/04	MRP
D	BASE OPENINGS & KSB75 ADDED.	04/25/05	M.M.
E	ADDED KSB78, KSB78-A, & KSB78-B	06/01/05	MRP
F	ADDED KSB80 & KSB82.	07/25/05	M.M.
G	KSB75 OPENING WAS 6 1/8"	08/08/05	M.M.
H	GLENMORE BASE REMOVED.	09/26/06	M.M.
I	SHEET 3 ADDED.	01/30/07	M.M.



KING LUMINAIRE
 COMPANY INC.
 840 WALKER'S LINE, P.O. BOX 7, 3R 3X9
 BURLINGTON, ONTARIO, CANADA L7R 4B1
 P.O. BOX 266 JEFFERSON, OHIO
 1153 STATE ROUTE 48N
 U.S.A. 44047

DRAWN BY:	MIKE MCCLELLAN	DATE:	01/30/07	DWG. SIZE:		REV.	1
CHECKED BY:		SCALE:	1:1	CAD. NO.:	VDWGS\206A2420		

MATERIAL SPECIFICATION:

PROJECT:

SPLIT BASES

DRAWING NAME:	CONCEPT DRAWING	DRAWING NO.:	206A2420	SHEET	3
				OF	3