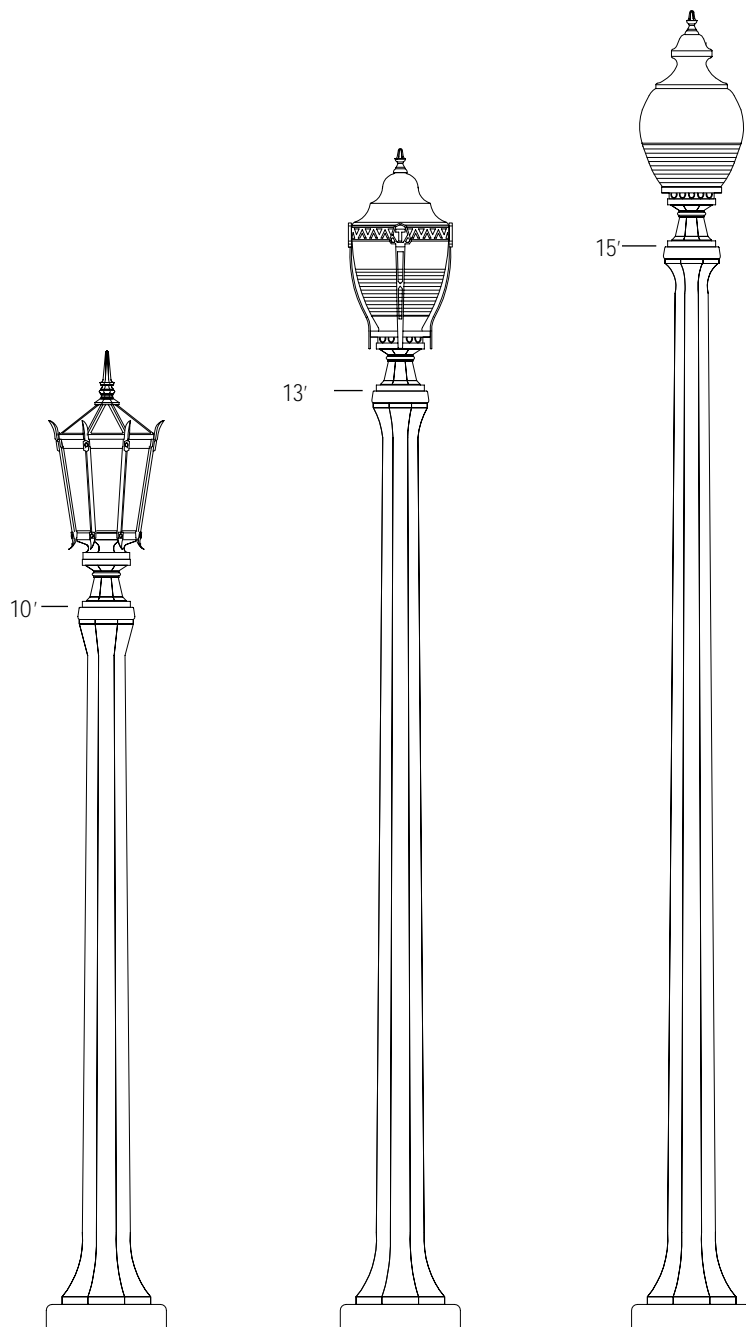
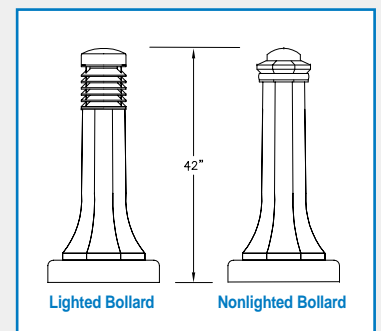


THE SHERIDAN

Family of Poles



Probably the most widely used of all ornamental spun concrete poles, the Sheridan typifies the lighting style of the 20's and 30's. Its very substantial mass is cleverly disguised by the grace and simplicity of design which ensures its timeless appeal. Today the Sheridan is available in a host of warm earthtone colors, complemented by our standard etched textural finish, in mounting heights of 10', 13' and 15'.



For more details please visit the bollard section in the King Luminaire Catalog or website www.kingluminaire.com



King Luminaire • StressCrete • Est. 1953

**STRESSCRETE
GROUP**

How to Catalog*

Description	Catalog Number	"A" Pole Height Above Grade	"D" Tip Dimension	"B" Direct Burial Length & "F" Dia.	Pole Weight Direct Burial	Pole Weight Base Plate
Sheridan 10'	KS10	10' 0"	9"	4' 6" x 10"	900 lbs	700 lbs
Sheridan 13'	KS13	13' 0"	9"	4' 6" x 10"	975 lbs	775 lbs
Sheridan 15'	KS15	15' 0"	9"	4' 6" x 10"	1050 lbs	850 lbs

* For bollard catalog information please see the bollard section in the King Luminaire catalog or visit our website at www.kingluminaire.com

Options

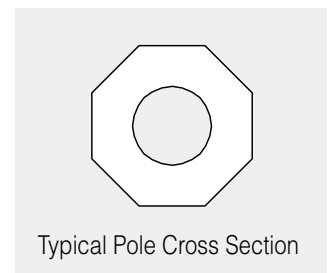
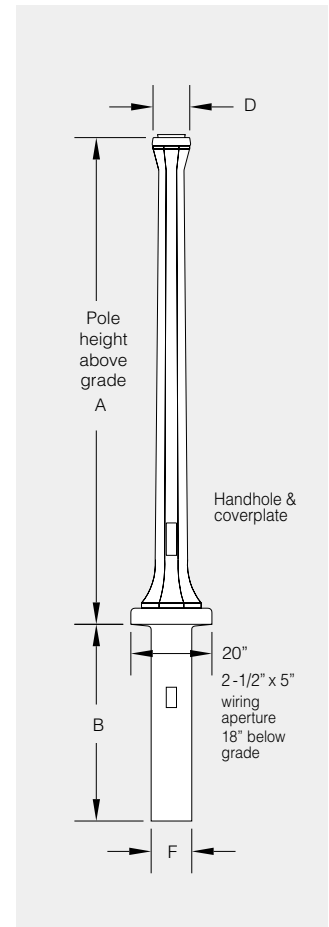
- Color Selection:** Listed below are a few suggested color options. Other standard or custom colors are available in either etched (sand blasted) or polished finishes.

Etched Finish Description	Color Catalog Number		Color of Matrix
	Etched	Polished	
Pearl Gray	E40	S40	Gray
Eclipse	E11	S11	Black
Aztec Jade	E51	S51	Green
Vintage Brown	E80	S80	Brown

- Base Plate Mounting:** Three options available (see details below). Specify "FBP" for Option 1 or "SBP" for Option 2 or RBP for Option 3 (e.g. KS15-RBP). Unless otherwise specified, pole will be supplied as direct buried. Anchor bolts are optional. Please specify "AB" if required.
- Electrical Receptacle:** Specify "DR" for 2 outlet, "GFI" for Ground Fault 2 outlet or "SR" for 1 outlet.
- Ladder Rest:** Specify "LRN"
- For Mounting Accessories see Arms & Capitals in King catalog or at www.kingluminaire.com.
- For Standard Arms and Post Top Mounting, see Pole Accessories in StressCrete catalog or at www.stresscrete.com.

Example of Typical Pole Specification

KS15	E11	SBP	DR	140 30/30
Sheridan 15'	Eclipse Etched Finish	Baseplate Option 2	Duplex Receptacle	2 7/8" o.d. x 3" long Tenon Mount
Note: as SBP is indicated, pole will come with base plate. Anchor Bolts are optional. Please specify "AB" if required.				

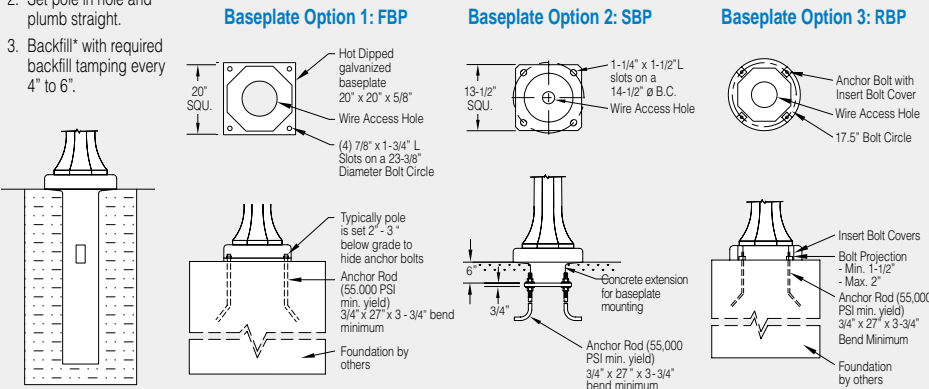


Footing Details

Direct Embedment

(Simple and Cost Effective)

- Auger the setting hole.
- Set pole in hole and plumb straight.
- Backfill* with required backfill tamping every 4" to 6".



*Generally the excavated material can be used for backfill, in some situations better backfill may be required.



King Luminaire • StressCrete • Est. 1953

STRESSCRETE GROUP

9200 Energy Lane
 Northport, Alabama 35476-3442
 Telephone (205) 339-0711
 Toll Free 1-800-435-6563 Fax (205) 339-4840

1153 State Route 46N
 Jefferson, Ohio 44047
 Toll Free 1-800-268-7809 Fax (905) 632-8116

14503 Wallick Road
 Atchison, Kansas 66002
 Telephone (913) 255-3112
 Toll Free 1-800-837-1024 Fax (913) 255-3124

840 Walkers Line, P.O. Box 7
 Burlington, Ontario L7R 3X9
 Telephone (905) 632-9301
 Toll Free 1-800-268-7809 Fax (905) 632-8116