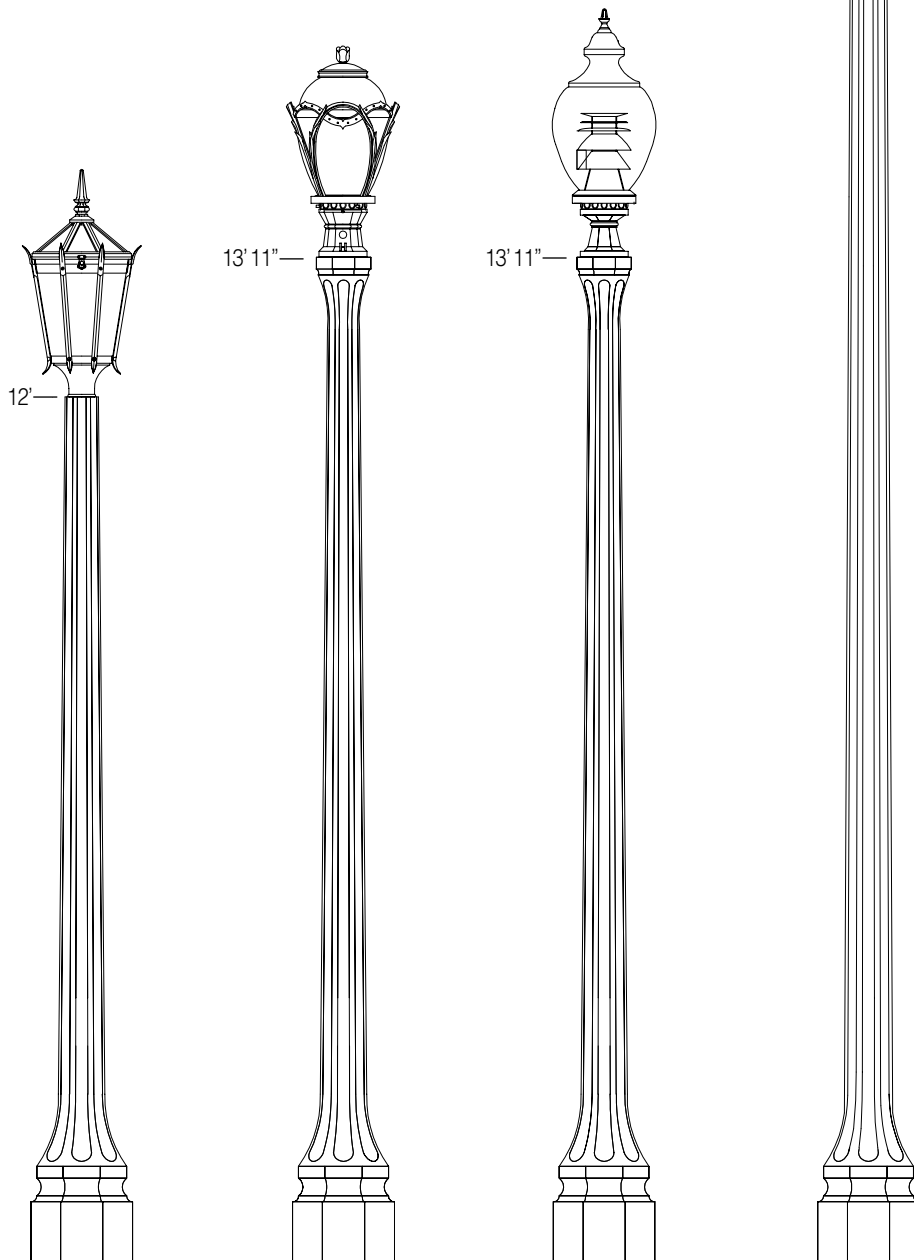
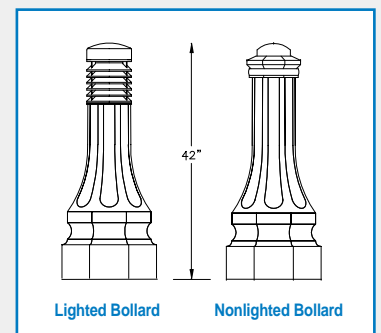


# THE TALISMAN

Family of Poles



With roots firmly established in the 20's and 30's the Talisman is an elegant version of several classic originals. In essence it is an 8 fluted version of the octagonal Belmont with the same graceful lines and proportions. The perfect choice for those who are normally hard to please. It is available in heights from 12' to 32.5' as well as a lighted and nonlighted bollard.



For more details please visit the bollard section in the King Luminaire Catalog or website [www.kingluminaire.com](http://www.kingluminaire.com)



King Luminaire • StressCrete • Est. 1953

**STRESSCRETE  
GROUP**

## How to Catalog\*

Description	Catalog Number	"A" Pole Height Above Grade	"D" Tip Dimension	"E" Flare	"B" Direct Burial Length & "F" Dia.	Pole Weight Direct Burial	Pole Weight Base Plate
Talisman 10' 6" Flared Top	KT105	10' 6"	9"	18"	4' 6" x 9 1/2"	1200 lbs	1000 lbs
Talisman 12' Non Flared Top	KT12	12' 0"	5 1/2"	18"	4' 6" x 9 1/2"	1300 lbs	1100 lbs
Talisman 14' Flared Top	KT14	13' 11"	9"	18"	4' 6" x 9 1/2"	1370 lbs	1170 lbs
Talisman 20'	KTH20	20' 0"	5 3/4"	18"	5' 0" x 9 1/2"	1600 lbs	1400 lbs
Talisman 25'	KTH25	25' 0"	5 3/8"	18"	5' 0" x 9 1/2"	1800 lbs	1600 lbs
Talisman 20'	KTT20	20' 0"	7 3/8"	21"	5' 0" x 12"	2270 lbs	2000 lbs
Talisman 25'	KTT25	25' 0"	6 1/4"	21"	5' 0" x 12"	2470 lbs	2200 lbs
Talisman 30'	KTT30	30' 0"	5 7/8"	21"	5' 0" x 12"	2630 lbs	2360 lbs
Talisman 33'	KTT32.5	32' 6"	5 1/2"	21"	6' 0" x 12"	2720 lbs	2450 lbs

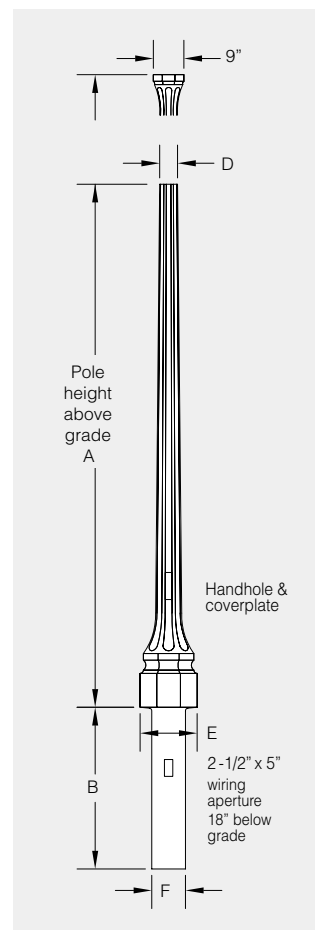
\* For bollard catalog information please see the bollard section in the King Luminaire catalog or visit our website at [www.kingluminaire.com](http://www.kingluminaire.com)

## Options

- **Color Selection:** Listed below are a few suggested color options. Other standard or custom colors are available in etched (sand blasted) finish only.

Finish Description	Color Catalog Number	Color of Pole Matrix
Pearl Gray	E40	Gray
Eclipse	E11	Black
Aztec Jade	E51	Green
Vintage Brown	E80	Brown

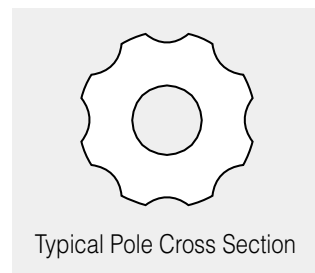
- **Base Plate Mounting:** Two options available (see details below). Specify "FBP" for Option 1 or "SBP" for Option 2 (e.g. KT14-FBP). Unless otherwise specified, pole will be supplied as direct buried. Anchor bolts are optional. Please specify "AB" if required.
- **Electrical Receptacle:** Specify "DR" for 2 outlet, "GFI" for Ground Fault 2 outlet or "SR" for 1 outlet.
- **Ladder Rest:** Specify "LRN"
- For Mounting Accessories see Arms & Capitals in King catalog or at [www.kingluminaire.com](http://www.kingluminaire.com).
- For Standard Arms and Post Top Mounting, see Pole Accessories in StressCrete catalog or at [www.stresscrete.com](http://www.stresscrete.com).



## Example of Typical Pole Specification

<b>KT14</b>	<b>E11</b>	<b>SBP</b>	<b>DR</b>	<b>140 30/30</b>
Talisman 14	Eclipse Etched Finish	Baseplate Option 2	Duplex Receptacle	2 7/8" O.D. x 3" long Tenon Mount

Note: as SBP is indicated, pole will come with base plate. Anchor Bolts are optional. Please specify "AB" if required.



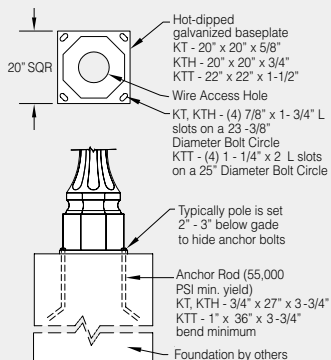
## Footing Details

### Direct Embedment

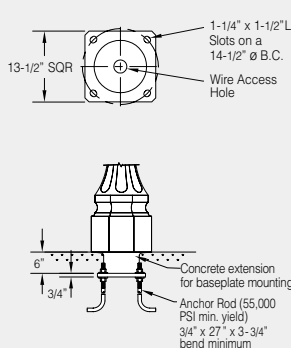
(Simple and Cost Effective)

1. Auger the setting hole.
2. Set pole in hole and plumb straight.
3. Backfill\* with required backfill tamping every 4" to 6".

### Baseplate Option 1: FBP



### Baseplate Option 2: SBP



\*Generally the excavated material can be used for backfill, in some situations better backfill may be required.



King Luminaire • StressCrete • Est. 1953

**STRESSCRETE GROUP**

9200 Energy Lane  
Northport, Alabama 35476-3442  
Telephone (205) 339-0711  
Toll Free 1-800-435-6563 Fax (205) 339-4840

1153 State Route 46N  
Jefferson, Ohio 44047  
Toll Free 1-800-268-7809 Fax (905) 632-8116

14503 Wallick Road  
Atchison, Kansas 66002  
Telephone (913) 255-3112  
Toll Free 1-800-837-1024 Fax (913) 255-3124

840 Walkers Line, P.O. Box 7  
Burlington, Ontario L7R 3X9  
Telephone (905) 632-9301  
Toll Free 1-800-268-7809 Fax (905) 632-8116