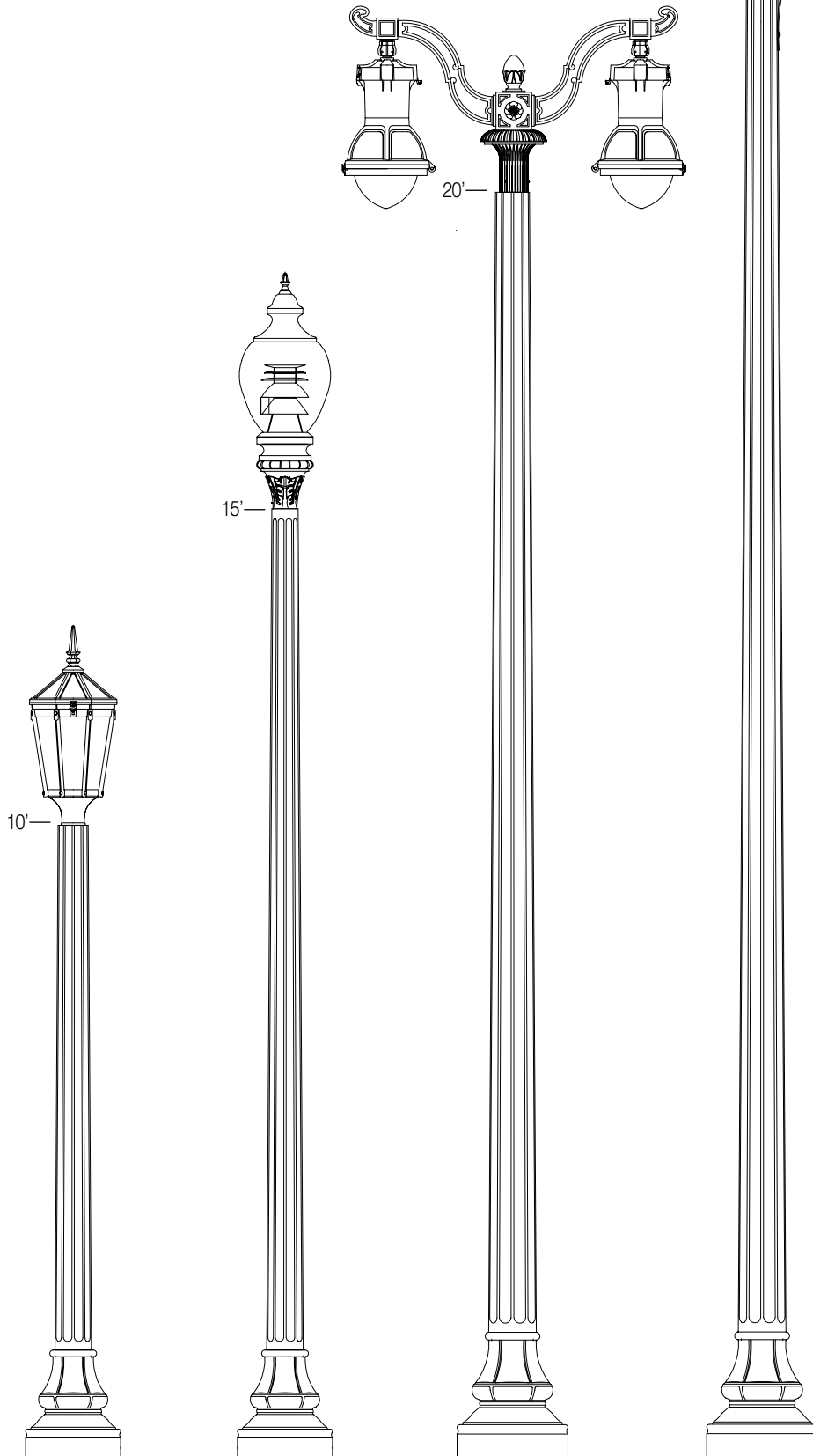
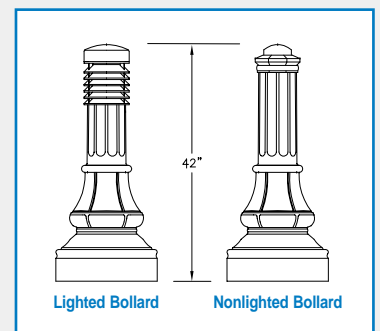


# THE WASHINGTON

Family of Poles



The Washington Design has a long history. Originally installed around the Capital Hill & White House grounds in 1910, it is now widely used throughout the DC area and has become extremely popular across the country. StressCrete is proud to introduce a spun concrete 10 fluted version of this historic design. It is available in heights from 10' to 30' as well as a lighted and nonlighted bollard.



For more details please visit the bollard section in the King Luminaire Catalog or website [www.kingluminaire.com](http://www.kingluminaire.com)



King Luminaire • StressCrete • Est. 1953

**STRESSCRETE  
GROUP**

## How to Catalog\*

Description	Catalog Number	"A" Pole Height Above Grade	"D" Tip Dimension	"C" Stepped Section Height	"E" Flare	"B" Direct Burial Length & "F" Dia.	Pole Weight Direct Burial	Pole Weight Base Plate
Washington 10'	KWC10	10' 0"	5 3/4"	20 1/2"	18"	4' 6" x 10"	860 lbs	655 lbs
Washington 13'	KWC13	13' 0"	5 1/4"	20 1/2"	18"	4' 6" x 10"	925 lbs	720 lbs
Washington 15'	KWC15	15' 0"	5"	20 1/2"	18"	4' 6" x 10"	1100 lbs	895 lbs
Washington 18'	KWH18	18' 0"	6 3/4"	24"	21"	5' 0" x 12"	1660 lbs	1390 lbs
Washington 20'	KWH20	20' 0"	6"	24"	21"	5' 0" x 12"	1750 lbs	1480 lbs
Washington 25'	KWH25	25' 0"	5 3/4"	24"	21"	5' 0" x 12"	1900 lbs	1630 lbs
Washington 30'	KWH30	30' 0"	5"	24"	21"	5' 0" x 12"	2140 lbs	1870 lbs

\* For bollard catalog information please see the bollard section in the King Luminaire catalog or visit our website at [www.kingluminaire.com](http://www.kingluminaire.com)

## Options

- Color Selection:** Listed below are a few suggested color options. Other standard or custom colors are available in etched (sand blasted) finish only.

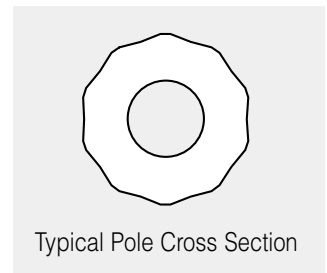
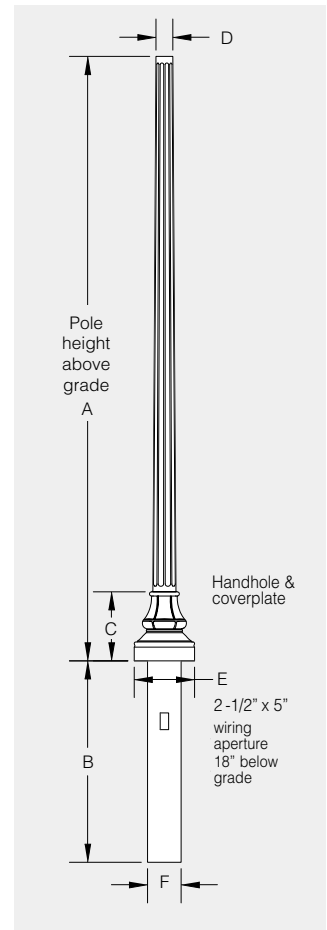
Etched Finish Description	Color Catalog Number	Color of Matrix
Pearl Gray	E40	Gray
Eclipse	E11	Black
Aztec Jade	E51	Green
Vintage Brown	E80	Brown

- Base Plate Mounting:** Two options available (see details below). Specify "FBP" for Option 1 or "SBP" for Option 2 (e.g. KWC15-FBP). Unless otherwise specified, pole will be supplied as direct buried. Anchor bolts are optional. Please specify "AB" if required.
- Electrical Receptacle:** Specify "DR" for 2 outlet, "GFI" for Ground Fault 2 outlet or "SR" for 1 outlet.
- Ladder Rest:** Specify "LRN"
- For Mounting Accessories see Arms & Capitals in King catalog or at [www.kingluminaire.com](http://www.kingluminaire.com).
- For Standard Arms and Post Top Mounting, see Pole Accessories in StressCrete catalog or at [www.stresscrete.com](http://www.stresscrete.com).

## Example of Typical Pole Specification

<b>KWC15</b>	<b>E11</b>	<b>FBP</b>	<b>LRN</b>	<b>DR</b>	<b>140 30/30</b>
Washington 15' Coachman	Etched Eclipse Finish	Baseplate Option 1	Ladder Rest	Duplex Receptacle	2 7/8" o.d. x 3" long Tenon Mount

Note: as FBP is indicated, pole will come with base plate. Anchor Bolts are optional. Please specify "AB" if required.

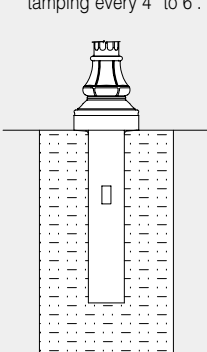


## Footing Details

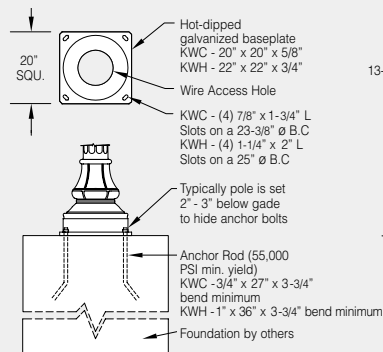
### Direct Embedment

(Simple and Cost Effective)

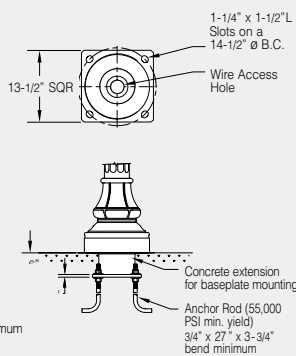
- Auger the setting hole.
- Set pole in hole and plumb straight.
- Backfill\* with required backfill tamping every 4" to 6".



### Baseplate Option 1: FBP



### Baseplate Option 2: SBP



King Luminaire • StressCrete • Est. 1953

**STRESSCRETE GROUP**

9200 Energy Lane  
Northport, Alabama 35476-3442  
Telephone (205) 339-0711  
Toll Free 1-800-435-6563 Fax (205) 339-4840

1153 State Route 46N  
Jefferson, Ohio 44047  
Toll Free 1-800-268-7809 Fax (905) 632-8116

14503 Wallick Road  
Atchison, Kansas 66002  
Telephone (913) 255-3112  
Toll Free 1-800-837-1024 Fax (913) 255-3124

840 Walkers Line, P.O. Box 7  
Burlington, Ontario L7R 3X9  
Telephone (905) 632-9301  
Toll Free 1-800-268-7809 Fax (905) 632-8116

\*Generally the excavated material can be used for backfill, in some situations better backfill may be required.